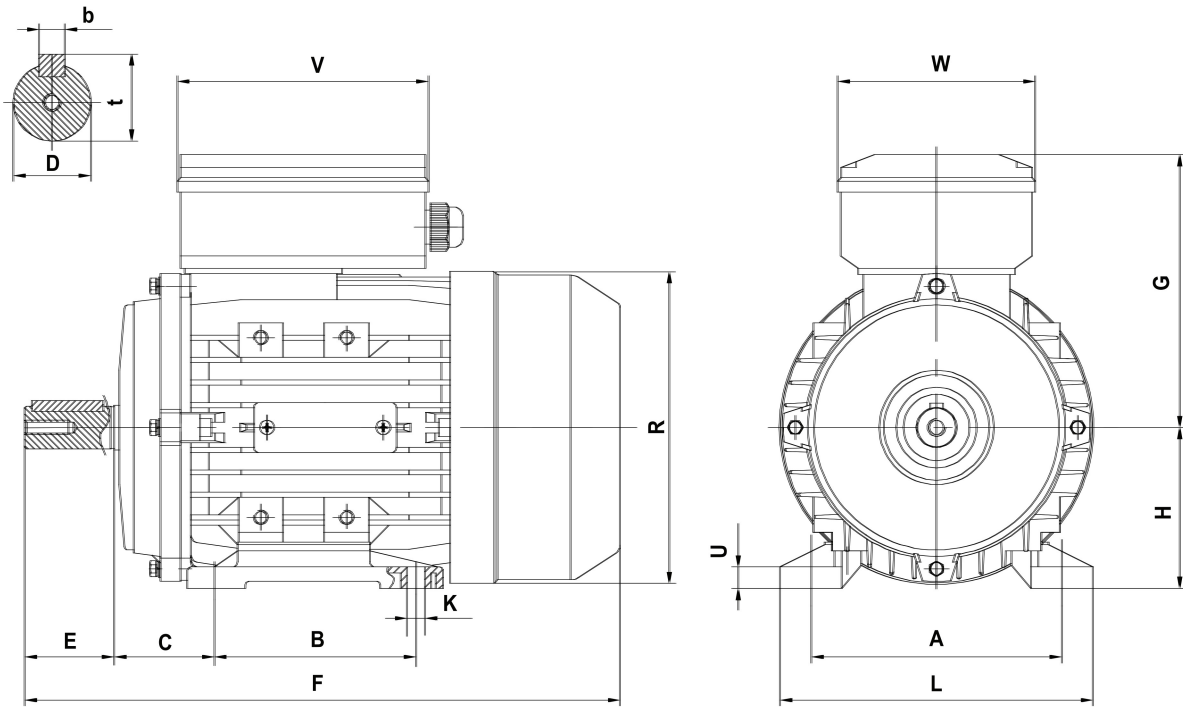




DIMENSIONI D'INGOMBRO B3

OVERALL DIMENSIONS B3



| Motore Motor | N. Poli No. Poles | QUOTA / DIMENSION | | | | | | | | | | | | | | | | | | Pr. cavo Cable gland | Foro fil. Tapped hole |
|-----------------|----------------------|-------------------|-----|----|-------|----|-----|-----|-----|------|-----|-----|-----|----|----|-----|-----|----|------|----------------------------|-----------------------------|
| | | A | B | C | D | E | F | G | H | K | I | L | R | T | U | V | W | b | t | | |
| 56 | 2 - 4 - 6 - 8 | 90 | 71 | 36 | 9j6 | 20 | 194 | 95 | 55 | 6 | 89 | 109 | 114 | 20 | 7 | 73 | 73 | 3 | 10.2 | M16+tappo plug | - |
| 63 | | 100 | 80 | 40 | 11j6 | 23 | 221 | 100 | 63 | 7 | 103 | 120 | 128 | 28 | 7 | 80 | 80 | 4 | 12.5 | M16+tappo plug | M4 x 07 |
| 71 | | 112 | 90 | 45 | 14j6 | 30 | 255 | 105 | 71 | 7 | 103 | 132 | 142 | 28 | 11 | 80 | 80 | 5 | 16 | M20+tappo plug | M5 x 0.8 |
| 80 | | 125 | 100 | 50 | 19j6 | 40 | 292 | 135 | 80 | 10 | 130 | 162 | 162 | 35 | 10 | 105 | 105 | 6 | 21.5 | M20+tappo plug | M6 x 1 |
| 90S | | 140 | 100 | 56 | 24j6 | 50 | 337 | 137 | 90 | 9 | 155 | 175 | 177 | 35 | 11 | 105 | 105 | 8 | 27 | M20+tappo plug | M8 x 1.25 |
| 90L | | | | | | | | | | | | | | | | | | | | | |
| 100L | | 150 | 140 | 63 | 28j6 | 60 | 386 | 147 | 100 | 12 | 175 | 199 | 202 | 50 | 14 | 105 | 105 | 8 | 31 | M20 + M20 | M10 x 1.5 |
| 112M | | 190 | 140 | 70 | 28j6 | 60 | 393 | 165 | 112 | 11 | 180 | 220 | 230 | 55 | 15 | 115 | 122 | 8 | 31 | M25 + M25 | M10 x 1.5 |
| 132S | | 216 | 140 | 89 | 38 k6 | 80 | 493 | 185 | 132 | 11.5 | 222 | 253 | 260 | 55 | 15 | 115 | 122 | 10 | 41 | M25 + M25 | M12 x 1.75 |
| 132M | | | | | | | | | | | | | | | | | | | | | |

dimensioni in mm

overall dimensions in mm