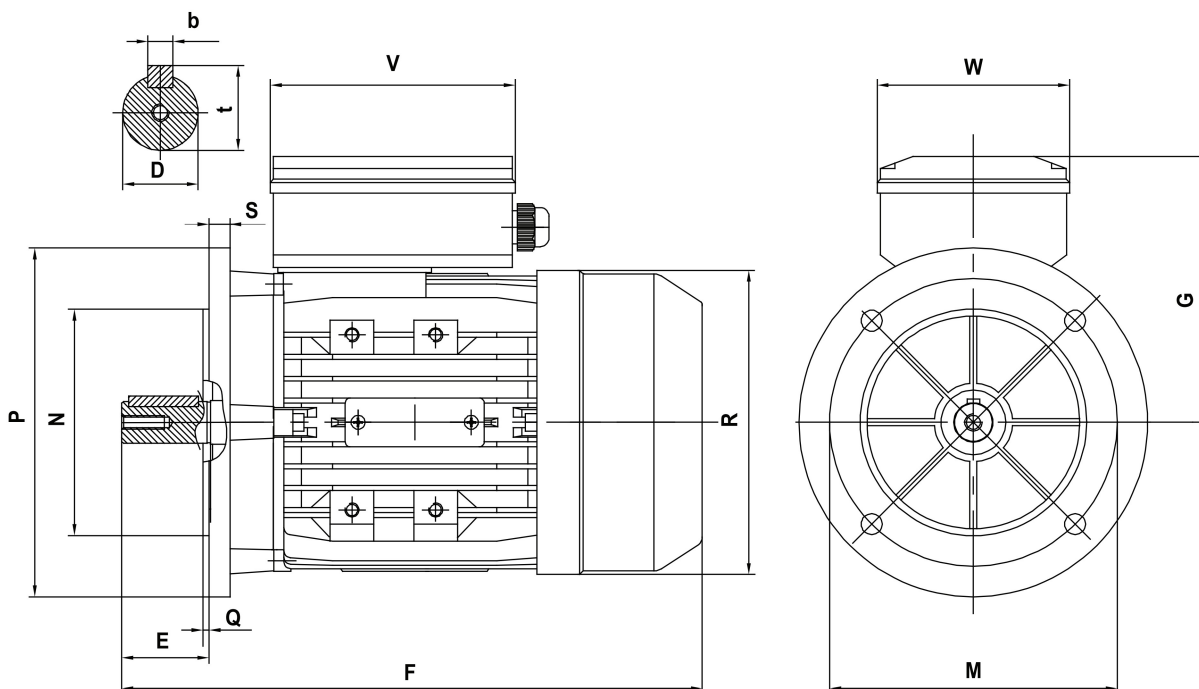




**DIMENSIONI D'INGOMBRO B5**

**OVERALL DIMENSIONS B5**



| Motore<br>Motor | N. Poli<br>No. Poles | QUOTA / DIMENSION |    |     |    |     |     |       |       |     |     |     |    |     |     |    |      | Pr. cavo<br>Cable<br>gland | Foro fil.<br>Tapped<br>hole |
|-----------------|----------------------|-------------------|----|-----|----|-----|-----|-------|-------|-----|-----|-----|----|-----|-----|----|------|----------------------------|-----------------------------|
|                 |                      | D                 | E  | F   | f  | G   | H   | M     | N     | P   | Q   | R   | S  | V   | W   | b  | t    |                            |                             |
| 56              | 2 - 4 - 6 - 8        | 9½6               | 20 | 194 | 7  | 95  | 56  | 101.5 | 80½6  | 120 | 2.5 | 114 | 9  | 73  | 73  | 3  | 10.2 | M16+tappo<br>plug          | -                           |
| 63              |                      | 11½6              | 23 | 220 | 10 | 100 | 63  | 115   | 95½6  | 140 | 3   | 128 | 9  | 80  | 80  | 4  | 12.5 | M16+tappo<br>plug          | M4 × 07                     |
| 71              |                      | 14½6              | 30 | 255 | 10 | 105 | 71  | 130   | 110½6 | 160 | 3   | 140 | 9  | 80  | 80  | 5  | 16   | M20+tappo<br>plug          | M5 × 0.8                    |
| 80              |                      | 19½6              | 40 | 292 | 12 | 135 | 80  | 165   | 130½6 | 200 | 3.5 | 160 | 12 | 105 | 105 | 6  | 21.5 | M20+tappo<br>plug          | M6 × 1                      |
| 90S             |                      | 24½6              | 50 | 337 | 12 | 137 | 90  | 165   | 130½6 | 200 | 3.5 | 175 | 12 | 105 | 105 | 8  | 27   | M20+tappo<br>plug          | M8 × 1.25                   |
| 90L             |                      | 24½6              | 50 | 337 | 12 | 137 | 90  | 165   | 130½6 | 200 | 3.5 | 175 | 12 | 105 | 105 | 8  | 27   | M20+tappo<br>plug          | M8 × 1.25                   |
| 100L            |                      | 28½6              | 60 | 386 | 15 | 147 | 100 | 215   | 180½6 | 250 | 4   | 200 | 15 | 105 | 105 | 8  | 31   | M20 + M20                  | M10 × 1.5                   |
| 112M            |                      | 28½6              | 60 | 393 | 14 | 165 | 112 | 215   | 180½6 | 250 | 4   | 228 | 13 | 115 | 122 | 8  | 31   | M25 + M25                  | M10 × 1.5                   |
| 132S            |                      | 38k6              | 80 | 493 | 15 | 185 | 132 | 265   | 230½6 | 300 | 4   | 258 | 14 | 115 | 122 | 10 | 41   | M25 + M25                  | M12 × 1.75                  |
| 132M            |                      | 38k6              | 80 | 493 | 15 | 185 | 132 | 265   | 230½6 | 300 | 4   | 258 | 14 | 115 | 122 | 10 | 41   | M25 + M25                  | M12 × 1.75                  |

dimensioni in mm

overall dimensions in mm