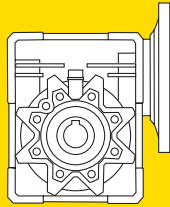
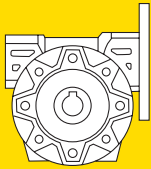


BVF

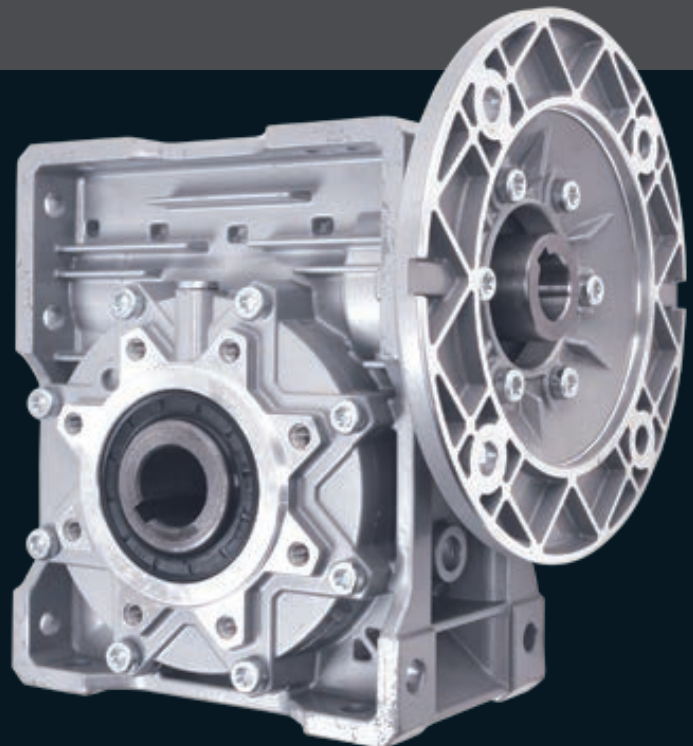
BW

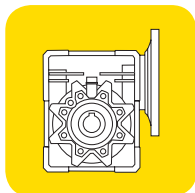
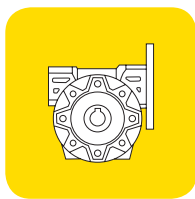


BONVARIO



WORM GEAR BOXES



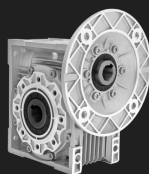


INDEX

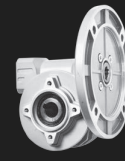
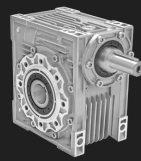
Page No.

TECHNICAL FEATURES	2
CLASSIFICATION	2
GENERAL INFORMATION	3
INTERNAL STRUCTURE	4-5
SERVICE FACTOR F_s	6
LUBRICATION	6
MOUNTING POSITION	7
TECHNICAL DATA	8 - 22
RATING CHARTS	23 - 29
DIMENSION SHEET	30 - 37
ACCESSORIES DIMENSION	38 - 39

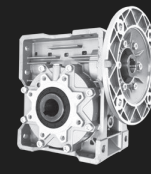
WORM GEARBOXES



BL SERIES



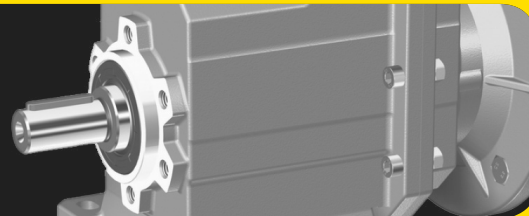
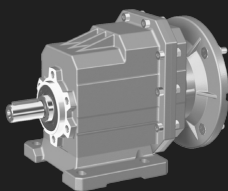
BVF SERIES



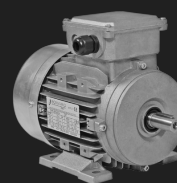
BW SERIES

HELICAL GEARBOXES

BON SERIES



ELECTRIC MOTORS



BM SERIES



WORM GEAR BOXES

BONVARIO BVF & BW series Aluminium Casing Gearboxes are manufactured with high quality material in order to guarantee the maximum reliability and strength for long life of the gearbox. Worm shaft are made of steel which are case hardened to 58-60 HRC and profile ground. The thread grinding in the gear ratios that the module value permits is carried out with ZI- profile. This improves the contact between the toothed surface and therefore performance of the gearbox. This also reduces operating noise of the gearbox. The worm wheel has a G20 cast iron hub onto which a casting in AS 1 bronze RIM is fitted.

This series Gearbox Housing & flanges are made out to aluminium alloy. This series gearbox comes with universal mounting options in all sizes. This series Gearbox are filled with synthetic oil grade ISO VG 320 which is virtually maintenance free and does not require oil change during their lifetime.

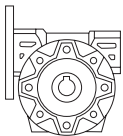
TECHNICAL FEATURES

BVF & BW series:

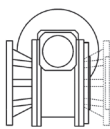
- Made of high quality die cast aluminium housing and flanges
- Multiple mounting options
- Permanent synthetic oil... for life long lubrication
- High efficiency
- Large output torque
- Low noise

CLASSIFICATION

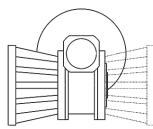
BVF



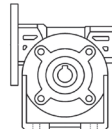
BVF-F



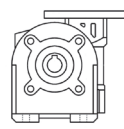
BVF-FL



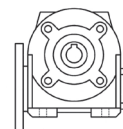
BVF-H



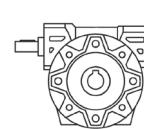
BVF-HA



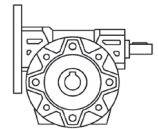
BVF-HB




BVF-IS

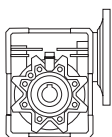


BVF-ES

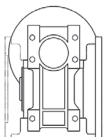


Type	Size	Version	Ratio	IES	Version	Mounting Position
BVF	30	F...FL	See Table	 56 — 112	B5 B14	B3
	44	H...HA...HB				B6-B8
	49	IS				V5
		ES				V6

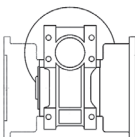
BW



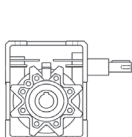
BW-F



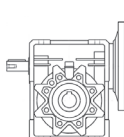
BW-FB




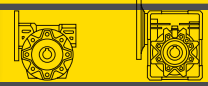
BW-IS



BW-ES



Type	Size	Version	Ratio	IES	Version	Mounting Position
BW	63	F...FB	See Table	 56 — 112	B5 B14	B3
	75	IS				B6-B8
	86	ES				V5
						V6



GENERAL INFORMATION

SYMBOLS & UNITS OF MEASURE

- i = Gear ratio
- M_{n2} = Gearbox rated output torque
- M_2 = Transmitted torque at output shaft
- n_1 = Angular input speed
- n_2 = Angular output speed
- P_{n1} = Gearbox rated input power
- P_{n2} = Gearbox rated output power
- R_{n1} = Rated radial load on input shaft
- R_{n2} = Rated radial load on output shaft
- S = Safety factor
- η_d = Dynamic efficiency

FORMULAS

GEAR RATIO

From the data given in the catalogue the value can be calculated using the following formula:

$$i = \frac{n_1}{n_2}$$

OUTPUT SPEED

This is the gearbox output speed calculated using the following formula:

$$n_2 = \frac{n_1}{i}$$

NOMINAL TORQUE

This is the output torque that can be transmitted by the gearbox according to input speed n_1 and gear ratio i . It is calculated based on service with continuous steady load corresponding to a service factor equal to 1. This can be calculated approximately with following formula between M_2 (output torque) and S (service factor):

$$M_{n2} = M_2 \cdot S$$

OUTPUT TORQUE

This is the gearbox's output torque. It is strictly related to power P_1 of the motor installed, output rpm n_2 and dynamic efficiency η_d . It can be calculated with the following formula:

$$M_2 = \frac{9550 \cdot P_1 \cdot \eta_d}{n_2}$$





WORM GEAR BOXES

BVF SERIES INTERNAL STRUCTURE

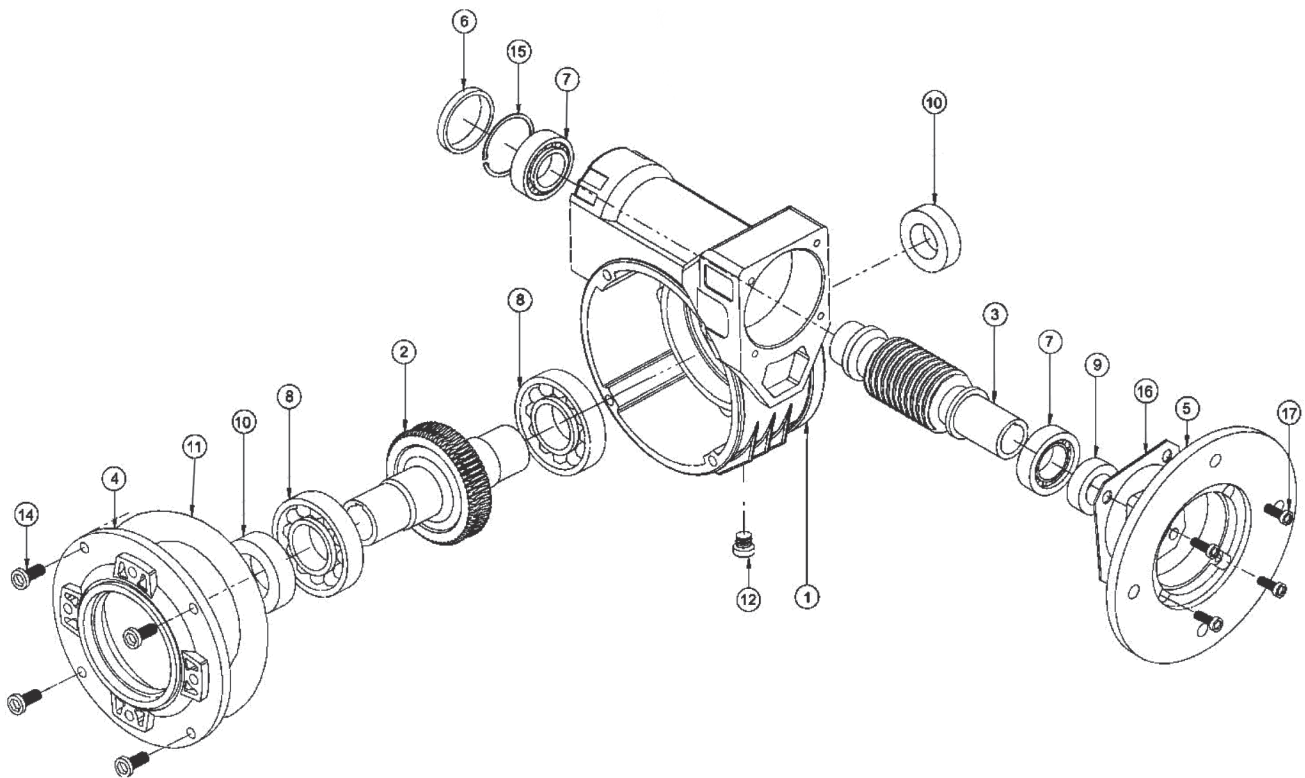
MAIN SPECIFICATIONS

Center distance (mm)		
30	44	49

No.	Parts
1	Frame
2	Worm wheel
3	Worm shaft
4	Output shaft cover
5	Flange
6	Seal cover
7	Bearing
8	Bearing
9	Oil seal

No.	Parts
10	Oil seal
11	O ring
12	Oil plug
13	Oil plug
14	Intl.hex screw
15	Snap ring
16	O ring
17	Intl.hex screw

BVF





BW SERIES INTERNAL STRUCTURE

MAIN SPECIFICATIONS

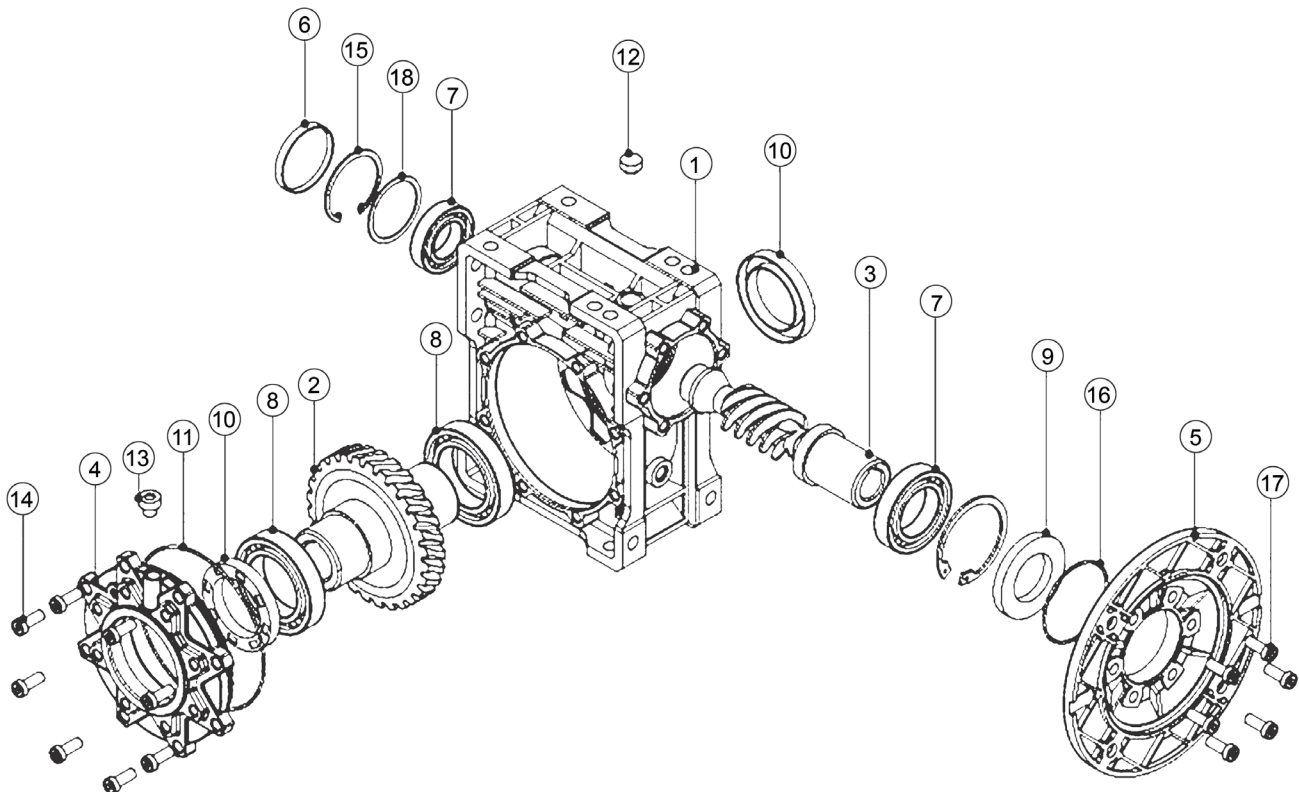
Center distance (mm)

63	75	86
----	----	----

No.	Parts
1	Frame
2	Worm wheel
3	Worm shaft
4	Output shaft cover
5	Flange
6	Seal cover
7	Bearing
8	Bearing
9	Oil seal

No.	Parts
10	Oil seal
11	O ring
12	Oil plug
13	Vented plug
14	Intl.hex screw
15	Snap ring
16	O ring
17	Intl.hex screw
18	Shim

BW





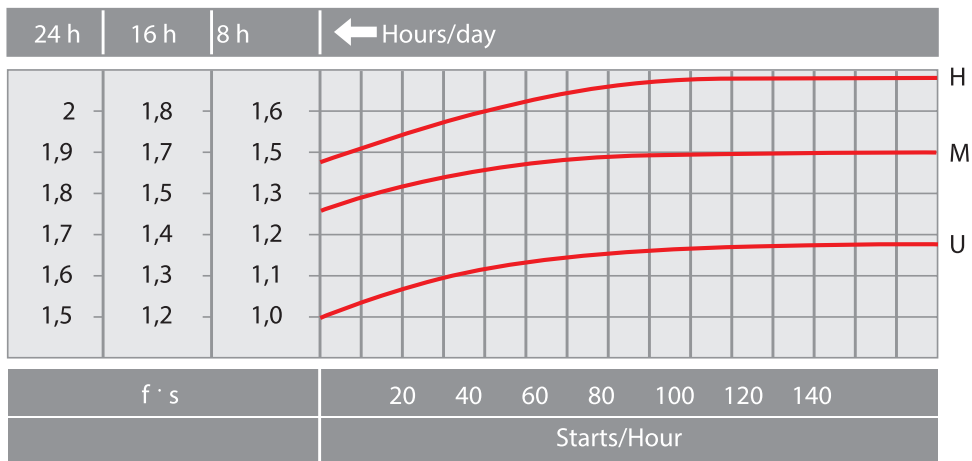
WORM GEAR BOXES

SERVICE FACTOR Fs

The service factor mainly depends on three parameters:

- type to load: U - M - H
- run time: h/day
- start-up frequency: na/h

- U** = uniform
- M** = moderate
- H** = heavy
- na/h** = starts/hour



LOAD TYPE - APPLICATION EXAMPLE

- U** Conveyor belts for light weights - centrifugal pumps - lifts - bottling machines
- M** Conveyor belts for heavy weights - packing machines - wood working machines - gear pumps
- H** Mixers - bucket elevators - tooling machines - machinery for bricks - vibrators

LUBRICATION

		ISO	SHELL	MOBIL	Lubrication type
BVF	-40 to +40	VG 150	Shell Omala HD 150	Mobil SHC 629	Synthetic oil
BW	-40 to +50	VG 220	Shell Omala HD 150	Mobil SHC 630	
	-25 to +50	VG 320	Shell Tivela S 320		

OIL VOLUME

	BVF				BW	
SIZE	30	44	49	63	75	86
Ltr.	0.04	0.06	0.09	0.25	0.5	0.75






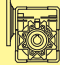
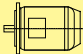
MOUNTING POSITION

B3		
B6		
B7		
B8		
V5		
V6		



WORM GEAR BOXES

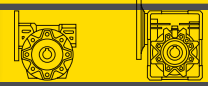
TECHNICAL DATA


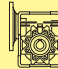
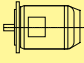
n_2 (rpm)	M_2 (Nm)	S	i			
----------------	---------------	---	---	---	---	---

0.09KW

0.5	503	1.1	1840	BVF+BW 44+86_1840	BM 631-6
0.7	377	1.5	1380	BVF+BW 44+86_1380	BM 631-6
0.8	363	1.1	1200	BVF+BW 44+75_1200	BM 631-6
0.9	232	0.9	1520	BVF+BW 30+63_1520	BM 562-4
1	323	1.2	920	BVF+BW 44+75_920	BM 631-6
1	332	1.7	920	BVF+BW 44+86_920	BM 631-6
1	255	0.9	900	BVF+BW 30+63_900	BM 631-6
1.2	183	1.1	1200	BVF+BW 30+63_1200	BM 562-4
1.3	225	1	720	BVF+BW 30+63_720	BM 631-6
1.3	267	1.5	700	BVF+BW 44+75_700	BM 631-6
1.3	253	2.2	700	BVF+BW 44+86_700	BM 631-6
1.6	172	1.2	900	BVF+BW 30+63_900	BM 562-4
1.7	210	1.9	525	BVF+BW 44+75_525	BM 631-6
1.7	200	2.8	525	BVF+BW 44+86_525	BM 631-6
2.3	164	2.4	400	BVF+BW 44+75_400	BM 631-6
2.3	160	3.4	400	BVF+BW 44+86_400	BM 631-6
2.5	145	1.4	570	BVF+BW 30+63_570	BM 562-4
3.1	117	1.8	450	BVF+BW 30+63_450	BM 562-4
3.1	106	1.2	294	BC+BW 63+63_294	BM 631-6
3.3	110	0.9	420	BVF+BVF 30+49_420	BM 562-4
3.8	98	1.4	235	BC+BW 63+63_235	BM 631-6
4.4	80	1.2	315	BVF+BVF 30+49_315	BM 562-4
4.4	84	2.5	315	BVF+BW 30+63_315	BM 562-4
4.4	84	0.9	206	BC+BVF 63+49_206	BM 631-6
4.8	85	1.8	188	BC+BW 63+63_188	BM 631-6
5.1	76	1	176	BC+BVF 63+49_176	BM 631-6
5.7	62	1	245	BVF+BVF 30+44_245	BM 562-4
6.8	67	1.2	132	BC+BVF 63+49_132	BM 631-6
6.8	71	2.5	132	BC+BW 63+63_132	BM 631-6
8	63	3.2	112	BC+BW 63+63_112	BM 631-6
8.5	59	1.4	106	BC+BVF 63+49_106	BM 631-6
9	41	1.3	100	BVF 49_100	BM 631-6
10.2	54	3.9	88	BC+BW 63+63_88	BM 631-6
11	49	1.9	82	BC+BVF 63+49_82	BM 631-6
11.3	37	1.6	80	BVF 49_80	BM 631-6
12.7	46	1.7	71	BC+BVF 63+49_71	BM 631-6
12.9	35	1.1	70	BVF 44_70	BM 631-6
12.9	34	1.8	70	BVF 49_70	BM 631-6
15	32	1.4	60	BVF 44_60	BM 631-6
15	34	1.7	60	BVF 49_60	BM 631-6
17	37	2.2	53	BC+BVF 63+49_53	BM 631-6
19.6	27	1.8	46	BVF 44_46	BM 631-6
20	26	2.7	45	BVF 49_45	BM 631-6
22	29	2.9	41	BC+BVF 63+49_41	BM 631-6
22.5	22	0.9	40	BVF 30_40	BM 631-6
23.3	19	1	60	BVF 30_60	BM 562-4
25	22	3.4	36	BVF 49_36	BM 631-6
25.7	22	2.2	35	BVF 44_35	BM 631-6

WORM GEAR BOXES



n_2 (rpm)	M_2 (Nm)	S	i			
----------------	---------------	---	---	--	---	---

0.09KW


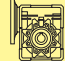
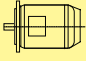
30	18	1.2	30	BVF 30_30	BM 631-6
32.1	18	2.7	28	BVF 44_28	BM 631-6
35	15	1.2	40	BVF 30_40	BM 562-4
45	14	1.5	20	BVF 30_20	BM 631-6
45	14	3.1	20	BVF 040_20	BM 631-6
46.7	12	1.6	30	BVF 30_30	BM 562-4
60	11	1.8	15	BVF 30_15	BM 631-6
70	9	1.9	20	BVF 30_20	BM 562-4
90	8	2.3	10	BVF 30_10	BM 631-6
93.3	7	2.5	15	BVF 30_15	BM 562-4
128.6	6	3.2	7	BVF 30_7	BM 631-6
140	5	3.1	10	BVF 30_10	BM 562-4
200	4	4.3	7	BVF 30_7	BM 562-4

0.12KW

0.7	518	1	2116	BVF+BW 44+86_2116	BM 631-4
0.8	483	1	1840	BVF+BW 44+86_1840	BM 631-4
1	386	1.3	1380	BVF+BW 44+86_1380	BM 631-4
1.5	322	1.1	920	BVF+BW 44+75_920	BM 631-4
1.5	322	1.6	920	BVF+BW 44+86_920	BM 631-4
1.6	236	0.9	900	BVF+BW 30+63_900	BM 631-4
1.9	233	0.9	720	BVF+BW 30+63_720	BM 631-4
2	257	1.4	700	BVF+BW 44+75_700	BM 631-4
2	239	2.1	700	BVF+BW 44+86_700	BM 631-4
2.5	199	1.1	570	BVF+BW 30+63_570	BM 631-4
2.7	202	1.8	525	BVF+BW 44+75_525	BM 631-4
2.7	193	2.6	525	BVF+BW 44+86_525	BM 631-4
3.1	141	0.9	294	BC+BW 63+63_294	BM 632-6
3.1	161	1.3	450	BVF+BW 30+63_450	BM 631-4
3.5	161	2.3	400	BVF+BW 44+75_400	BM 631-4
3.5	143	3.5	400	BVF+BW 44+86_400	BM 631-4
3.8	142	1.6	240	BVF+BW 30+63_240	BM 632-6
20	33	0.9	70	BVF 49_70	BM 631-4
22	38	2.2	41	BC+BVF 63+49_41	BM 632-6
23.3	30	1.3	60	BVF 44_60	BM 631-4
23.3	30	1.9	60	BVF 49_60	BM 631-4
26.4	33	2.3	53	BC+BVF 63+49_53	BM 631-4
30	24	0.9	30	BVF 30_30	BM 632-6
30.4	25	1.5	46	BVF 44_46	BM 631-4
31.1	25	2.6	45	BVF 49_45	BM 631-4
34.1	26	3.1	41	BC+BVF 63+49_41	BM 631-4
35	21	0.9	40	BVF 30_40	BM 631-4
38.9	21	3.3	36	BVF 49_36	BM 631-4
40	21	1.9	35	BVF 44_35	BM 631-4
46.7	17	1.2	30	BVF 30_30	BM 631-4
50	17	2.2	28	BVF 44_28	BM 631-4
60	15	1.4	15	BVF 30_15	BM 632-6
64.3	14	2.7	14	BVF 44_14	BM 632-6
70	13	1.4	20	BVF 30_20	BM 631-4
70	13	2.9	20	BVF 44_20	BM 631-4



WORM GEAR BOXES

n_2 (rpm)	M_2 (Nm)	S	i			
----------------	---------------	---	---	---	---	---

0.12KW


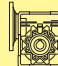
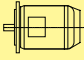
93.3	10	1.8	15	BVF 30_15	BM 631-4
100	10	2.9	14	BVF 44_14	BM 631-4
128.6	8	2.4	7	BVF 30_7	BM 632-6
140	7	2.3	10	BVF 30_10	BM 631-4
140	7	2.2	20	BVF 30_20	BM 562-2
280	4	3.4	10	BVF 30_10	BM 562-2
400	3	4.7	7	BVF 30_7	BM 562-2

0.18KW

1.5	479	1	920	BVF+BW 44+86_920	BM 632-4
1.7	391	1.4	525	BVF+BW 44+86_525	BM 711-6
2	356	1.4	700	BVF+BW 44+86_700	BM 632-4
2.3	321	1.2	400	BVF+BW 44+75_400	BM 711-6
2.3	313	1.8	400	BVF+BW 44+86_400	BM 711-6
2.7	301	1.2	525	BVF+BW 44+75_525	BM 632-4
2.7	287	1.7	525	BVF+BW 44+86_525	BM 632-4
3	264	1.5	300	BVF+BW 44+75_300	BM 711-6
3	241	2.3	300	BVF+BW 44+86_300	BM 711-6
3.1	235	0.9	294	BC+BW 71+75_294	BM 711-6
3.1	258	1.2	294	BC+BW 71+86_294	BM 711-6
3.5	240	1.5	400	BVF+BW 44+75_400	BM 632-4
3.5	214	2.3	400	BVF+BW 44+86_400	BM 632-4
3.8	204	1.1	235	BC+BW 71+75_235	BM 711-6
3.8	227	1.4	235	BC+BW 71+86_235	BM 711-6
3.9	233	2.4	230	BVF+BW 44+86_230	BM 711-6
4.4	172	1.2	315	BVF+BW 30+63_315	BM 632-4
4.7	199	1.9	300	BVF+BW 44+75_300	BM 632-4
4.7	176	2.8	300	BVF+BW 44+86_300	BM 632-4
4.8	172	0.9	188	BC+BW 71+63_188	BM 711-6
4.8	202	1.9	188	BC+BW 71+86_188	BM 711-6
4.8	158	0.8	294	BC+BW 63+63_294	BM 632-4
5.1	176	1.6	176	BC+BW 71+75_147	BM 711-6
5.5	182	2.1	165	BC+BW 71+86_165	BM 711-6
5.6	186	2	250	BVF+BW 44+75_250	BM 632-4
6	135	1	235	BC+BW 63+63_235	BM 632-4
6.1	158	2	147	BC+BW 71+75_147	BM 711-6
6.1	162	3.1	230	BVF+BW 44+86_230	BM 632-4
6.7	162	2.7	135	BC+BW 71+86_135	BM 711-6
6.8	139	1.3	132	BC+BW 71+63_132	BM 711-6
7.4	124	1.2	188	BC+BW 63+63_188	BM 632-4
7.6	138	2.4	118	BC+BW 71+75_118	BM 711-6
7.6	145	3	118	BC+BW 71+86_118	BM 711-6
8	127	1.6	112	BC+BW 71+63_112	BM 711-6
9	88	1.4	100	BW 63_100	BM 711-6
9	96	1.7	100	BW 75_100	BM 711-6
9	105	2.4	100	BW 86_100	BM 711-6
9.5	87	1.4	294	BC+BW 63+63_294	BM 631-2
10.2	107	1.9	88	BC+BW 71+63_88	BM 711-6
10.2	116	3.2	88	BC+BW 71+75_88	BM 711-6
10.6	886	1	132	BC+BVF 63+49_132	BM 632-4

WORM GEAR BOXES




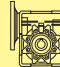
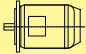
n_2 (rpm)	M_2 (Nm)	S	i			
----------------	---------------	---	---	--	---	---

0.18KW

10.6	98	1.7	132	BC+BW 63+63_132		BM 632-4
11.3	79	1.6	80	BW 63_80		BM 711-6
11.3	83	2.4	80	BW 75_80		BM 711-6
11.3	90	3.1	80	BW 86_80		BM 711-6
11.9	70	0.8	235	BC+VVF 63+49_235		BM 631-2
11.9	78	1.6	235	BC+BW 63+63_235		BM 631-2
12.2	101	3.3	74	BC+BW 71+75_74		BM 711-6
12.5	86	2.2	112	BC+BW 63+63_112		BM 632-4
12.7	94	2	71	BC+BW 71+63_71		BM 711-6
13.2	97	4	68	BC+BW 71+86_68		BM 711-6
13.2	77	1	106	BC+VVF 63+49_106		BM 632-4
13.6	64	0.9	206	BC+VVF 63+49_206		BM 631-2
14.9	66	2.1	188	BC+BW 63+63_188		BM 631-2
15	61	1.1	60	BVF 49_60		BM 711-6
15.3	86	3.8	59	BC+BW 71+75_59		BM 711-6
15.9	58	1.1	176	BC+VVF 63+49_176		BM 631-2
15.9	72	2.7	88	BC+BW 63+63_88		BM 632-4
16.1	78	2.5	56	BC+BW 71+63_56		BM 711-6
17.1	64	1.4	82	BC+VVF 63+49_82		BM 632-4
17.5	54	1	80	BVF49_80		BM 632-4
19.7	62	1.2	71	BC+VVF 63+49_71		BM 632-4
19.7	63	2.9	71	BC+BW 63+63_71		BM 632-4
20	49	1.1	70	BVF 49_70		BM 632-4
20	54	2.9	45	BW 63_45		BM 711-6
20.5	64	3	44	BC+BW 71+63_44		BM 711-6
21.2	47	1.5	132	BC+VVF 63+49_132		BM 631-2
21.2	52	3	132	BC+BW 63+63_132		BM 631-2
23.3	45	0.9	60	BVF 44_60		BM 632-4
23.3	45	1.3	60	BVF 49_60		BM 632-4
25	49	3.4	112	BC+BW 63+63_112		BM 631-2
25	52	3.5	56	BC+BW 63+63_56		BM 632-4
25.7	53	3.4	35	BC+BW 71+63_35		BM 711-6
26.4	49	1.5	53	BC+VVF 63+49_53		BM 632-4
26.4	42	1.8	106	BC+VVF 63+49_106		BM 631-2
31	46	4	29	BC+BW 71+63_29		BM 711-6
30.4	38	1	46	BVF 44_46		BM 632-4
31.1	37	1.8	45	BVF 49_45		BM 632-4
32.1	36	1.4	28	BVF 44_28		BM 711-6
34.1	34	2.4	82	BC+VVF 63+49_82		BM 631-2
34.1	38	2.1	41	BC+VVF 63+49_41		BM 632-4
38.9	31	2.2	36	BVF 49_36		BM 632-4
39.4	31	2.2	71	BC+VVF 63+49_71		BM 631-2
40	31	1.3	35	BVF 44_35		BM 632-4
50	26	1.5	28	BVF 44_28		BM 632-4
50	26	2.9	28	BVF 49_28		BM 632-4
52.8	26	2.7	53	BC+VVF 63+49_53		BM 631-2
58.3	23	2.7	24	BVF 49_24		BM 632-4
68.3	20	3.6	41	BC+VVF 63+49_71		BM 631-2
70	19	0.9	20	BVF 30_20		BM 632-4
70	20	1.9	20	BVF 44_20		BM 632-4



WORM GEAR BOXES

n_2 (rpm)	M_2 (Nm)	S	i			
----------------	---------------	---	---	---	---	---

0.18KW


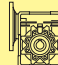
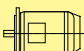
77.8	18	3.2	18	BVF 49_18	BM 632-4
80	16	1.8	35	BVF 44_35	BM 631-2
93.3	15	1.2	15	BVF 30_15	BM 632-4
100	15	2	14	BVF 44_14	BM 632-4
140	11	1.5	10	BVF 30_10	BM 632-4
140	11	2.7	10	BVF 44_10	BM 632-4
200	8	2.1	7	BVF 30_7	BM 632-4
200	7	2.9	14	BVF 44_14	BM 631-2
280	5	2.2	10	BVF 30_10	BM 631-2
400	4	3.1	7	BVF 30_7	BM 631-2

0.25KW

1.7	543	1	525	BVF+BW 44+86_525	BM 712-6
2	474	1.1	700	BVF+BW 44+86_700	BM 711-4
2.7	383	1.3	525	BVF+BW 44+86_525	BM 711-4
3	366	1.1	300	BVF+BW 44+75_525	BM 712-6
3.1	359	0.9	294	BC+BW 71+86_294	BM 712-6
3.5	319	1.2	400	BVF+BW 44+75_400	BM 711-4
3.5	285	1.8	400	BVF+BW 44+86_400	BM 711-4
3.8	283	0.8	235	BC+BW 71+75_235	BM 712-6
3.8	315	1	235	BC+BW 71+86_235	BM 712-6
3.9	323	1.7	230	BVF+BW 44+86_230	BM 712-6
4.7	266	1.4	300	BVF+BW 44+75_300	BM 711-4
4.7	234	2.1	300	BVF+BW 44+86_300	BM 711-4
4.8	224	0.8	294	BC+BW 71+75_294	BM 711-4
4.8	280	1.4	188	BC+BW 71+86_188	BM 712-6
5.1	244	1.1	176	BC+BW 71+75_176	BM 712-6
5.5	252	1.5	165	BC+BW 71+86_165	BM 712-6
5.6	247	1.5	250	BVF+BW 44+75_250	BM 711-4
6	202	1.1	235	BC+BW 71+75_235	BM 711-4
6.1	219	1.4	147	BC+BW 71+75_147	BM 712-6
6.1	216	2.3	230	BVF+BW 44+86_230	BM 711-4
6.7	225	1.9	135	BC+BW 71+86_135	BM 712-6
6.8	193	0.9	132	BC+BW 71+63_132	BM 712-6
7.3	167	0.9	192	BC+BW 71+63_192	BM 711-4
7.6	191	1.7	118	BC+BW 71+75_118	BM 712-6
7.6	201	2.2	118	BC+BW 71+86_118	BM 712-6
8	169	1.4	176	BC+BW 71+75_176	BM 711-4
8	176	1.1	112	BC+BW 71+63_112	BM 712-6
9	133	1.2	100	BW 75_100	BM 712-6
9	146	1.7	100	BW 86_100	BM 712-6
9.5	149	1.7	147	BC+BW 71+75_147	BM 711-4
9.5	121	1	294	BC+BW 63+63_294	BM 632-2
10.2	148	1.4	88	BC+BW 71+63_88	BM 712-6
10.2	160	2.3	88	BC+BW 71+75_88	BM 712-6
10.2	153	3.3	88	BC+BW 71+86_88	BM 712-6
10.6	134	1.3	132	BC+BW 71+63_132	BM 711-4
11.3	115	1.7	80	BW 75_80	BM 712-6
11.3	125	2.2	80	BW 86_80	BM 712-6
11.9	127	2.4	118	BC+BW 71+75_118	BM 711-4

WORM GEAR BOXES




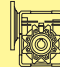
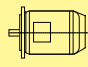
n_2 (rpm)	M_2 (Nm)	S	i			
----------------	---------------	---	---	--	---	---

0.25KW

11.9	109	1.2	235	BC+BW 63+63_235		BM 632-2
12.2	140	2.4	74	BC+BW 71+75_74		BM 712-6
12.5	119	1.6	112	BC+BW 71+63_112		BM 711-4
12.7	130	1.5	71	BC+BW 71+63_71		BM 712-6
13.2	135	2.9	68	BC+BW 71+86_68		BM 712-6
14	89	1.3	100	BW 63_100		BM 711-4
14	96	1.6	100	BW 75_100		BM 711-4
14	102	2.2	100	BW 86_100		BM 711-4
14.9	92	1.5	188	BC+BW 63+63_188		BM 632-2
15.3	120	3.6	59	BC+BW 71+86_59		BM 712-6
15.9	98	1.9	88	BC+BW 71+63_88		BM 711-4
15.9	106	3	88	BC+BW 71+75_88		BM 711-4
16.1	108	1.8	56	BC+BW 71+63_56		BM 712-6
15.9	80	0.8	176	BC+BVF 63+49_176		BM 632-2
17.5	78	1.5	80	BW 63_80		BM 711-4
17.5	82	2.2	80	BW 75_80		BM 711-4
17.5	89	2.9	80	BW 86_80		BM 711-4
18.9	94	3.2	74	BC+BW 71+75_74		BM 711-4
19.7	87	2.1	71	BC+BW 71+63_71		BM 711-4
20	70	1	45	BVF 49_45		BM 712-6
20.5	89	2.2	44	BC+BW 71+63_44		BM 712-6
20.5	94	3.8	44	BC+BW 71+75_44		BM 712-6
21.2	66	1.1	132	BC+BVF 63+49_132		BM 632-2
21.2	73	2.1	132	BC+BW 63+63_132		BM 632-2
21.9	68	1.8	64	BW63_64		BM 711-4
23.3	68	3	60	BW75_60		BM 711-4
23.7	79	3.7	59	BC+BW 71+75_59		BM 711-4
25	71	2.5	56	BC+BW 71+63_56		BM 711-4
25	67	2.5	112	BC+BW 63+63_112		BM 632-2
25.7	74	2.4	35	BC+BW 71+63_35		BM 712-6
26.4	58	1.3	106	BC+BW 63+49_106		BM 632-2
31	63	2.9	29	BC+BW 71+63_29		BM 712-6
31.1	52	2.8	45	BW 63_45		BM 711-4
31.8	59	3.1	44	BC+BW 71+63_44		BM 711-4
31.8	55	3.1	88	BC+BW 63+63_88		BM 632-2
32.1	50	1	28	BVF 44_28		BM 712-6
34.1	47	1.7	82	BC+BVF 63+49_82		BM 632-2
36.8	46	3.4	38	BW 63_38		BM 711-4
38.9	44	1.6	36	BVF49_36		BM 711-4
40	49	3.4	35	BC+BW 71+63_35		BM 711-4
39.4	43	1.6	71	BC+BVF 63+49_71		BM 632-2
39.4	46	3.6	71	BC+BW 63+63_71		BM 632-2
40	43	0.9	35	BVF 44_35		BM 711-4
42.9	46	3.4	21	BC+BW 71+63_21		BM 712-6
45	39	1.1	20	BVF 44_20		BM 712-6
48.3	42	4	29	BC+BW 71+63_29		BM 711-4
50	36	1.1	28	BVF 44_28		BM 711-4
50	36	2.1	28	BVF 49_28		BM 711-4
52.8	35	2	53	BC+BVF 63+49_53		BM 632-2
58.3	33	1.9	24	BVF 49_24		BM 711-4
64.3	29	1.3	14	BVF 44_14		BM 712-6



WORM GEAR BOXES

n_2 (rpm)	M_2 (Nm)	S	i			
----------------	---------------	---	---	---	---	---

0.25KW


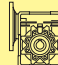
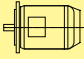
64.3	29	2.5	14	BVF 49_14	BM 712-6
68.3	28	2.6	41	BC+BVF 63+49_41	BM 632-2
70	28	1.4	20	BVF 44_20	BM 711-4
77.8	25	2.3	18	BVF 49_18	BM 711-4
80	23	1.3	35	BVF 44_35	BM 632-2
90	22	1.8	10	BVF 44_10	BM 712-6
100	21	1.4	14	BVF 44_14	BM 711-4
100	21	3.2	14	BVF 49_14	BM 711-4
116.7	17	2.8	24	BVF 49_24	BM 632-2
128.6	16	2.5	7	BVF 44_7	BM 712-6
140	15	1.9	10	BVF 44_10	BM 711-4
140	14	1	20	BVF 30_20	BM 632-2
186.7	11	1.3	15	BVF 30_15	BM 632-2
200	11	2.7	7	BVF 44_7	BM 711-4
280	8	1.6	10	BVF 30_10	BM 632-2
280	8	2.9	10	BVF 44_10	BM 632-2
400	5	2.2	7	BVF 30_7	BM 632-2

0.37KW

3.5	423	1.2	400	BVF+BW 44+86_400	BM 712-4
4.7	348	1.4	300	BVF+BW 44+86_300	BM 712-4
4.7	414	0.9	192	BC+BW 80+86_192	BM 801-6
5	361	0.8	180	BC+BW 80+75_180	BM 801-6
5.4	373	1	168	BC+BW 80+86_168	BM 801-6
6	323	0.9	235	BC+BW 71+86_235	BM 712-4
6	324	1	150	BC+BW 80+75_150	BM 801-6
6.1	320	1.6	230	BVF+BW 44+86_230	BM 712-4
6.5	332	1.3	138	BC+BW 80+86_138	BM 801-6
7.4	281	1.2	188	BC+BW 71+86_188	BM 712-4
7.5	283	1.2	120	BC+BW 80+75_120	BM 801-6
7.5	297	1.5	120	BC+BW 80+86_120	BM 801-6
8	250	0.9	176	BC+BW 71+75_176	BM 712-4
8.5	256	1.4	165	BC+BW 71+86_165	BM 712-4
8.5	173	2.1	165	BC+BW 71+86_165	BM 712-4
9	214	1.2	100	BW 86_100	BM 801-6
9.5	190	0.8	294	BC+BW 71+75_294	BM 711-2
9.5	221	1.2	147	BC+BW 71+75_147	BM 712-4
9.5	209	1.2	294	BC+BW 71+86_294	BM 711-2
10	237	1.6	90	BC+BW 80+75_90	BM 801-6
10	227	2.2	90	BC+BW 80+86_90	BM 801-6
10.4	221	1.8	135	BC+BW 71+86_135	BM 712-4
10.6	198	0.9	132	BC+BW 71+63_132	BM 712-4
11.3	168	1.2	80	BW 75_80	BM 801-6
11.3	183	1.5	80	BW 86_80	BM 801-6
11.9	157	0.8	235	BC+BW 71+63_235	BM 711-2
11.9	164	1.2	235	BC+BW 71+75_235	BM 711-2
11.9	191	1.6	118	BC+BW 71+75_118	BM 712-4
11.9	179	1.5	235	BC+BW 71+86_235	BM 711-2

WORM GEAR BOXES





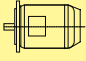
n_2 (rpm)	M_2 (Nm)	S	i			
----------------	---------------	---	---	--	---	---

0.37KW

11.9	200	2	118	BC+BW 71+86_118		BM 712-4
12	207	1.6	75	BC+BW 80+75_75		BM 801-6
12.5	176	1.1	112	BC+BW 71+63_112		BM 712-4
13	199	2	69	BC+BW 80+86_69		BM 801-6
14	142	1.1	100	BW 75_100		BM 712-4
14	152	1.5	100	BW 86_100		BM 712-4
14.1	139	1	64	BW 63_64		BM 801-6
14.9	136	1	188	BC+BW 71+63_188		BM 711-2
14.9	153	2	188	BC+BW 71+86_188		BM 711-2
15	140	1.5	60	BW 75_60		BM 801-6
15	177	1.9	60	BC+BW 80+75_60		BM 801-6
15	177	2.4	60	BC+BW 80+86_60		BM 801-6
15.9	145	1.3	88	BC+BW 71+63_88		BM 712-4
15.9	136	1.6	176	BC+BW 71+75_176		BM 711-2
15.9	157	2	88	BC+BW 71+75_88		BM 712-4
15.9	152	2.9	88	BC+BW 71+86_88		BM 712-4
16.1	144	2.3	56	BW 86_56		BM 801-6
17	140	2.3	165	BC+BW 71+86_165		BM 711-2
17.5	116	1	80	BW 63_80		BM 712-4
17.5	122	1.5	80	BW 75_80		BM 712-4
17.5	132	1.9	80	BW 86_80		BM 712-4
19	119	2	147	BC+BW 71+75_147		BM 711-2
18.9	138	2.1	74	BC+BW 71+75_74		BM 712-4
19.7	128	1.5	71	BC+BW 71+63_71		BM 712-4
20	138	2.5	45	BC+BW 80+75_45		BM 801-6
20	135	3.4	45	BC+BW 80+86_45		BM 801-6
20.7	121	3	135	BC+BW 71+86_135		BM 711-2
20.6	131	2.9	68	BC+BW 71+86_68		BM 712-4
21.2	108	1.4	132	BC+BW 71+63_132		BM 711-2
21.9	101	1.2	64	BW 63_64		BM 712-4
21.9	112	2.5	64	BW 86_64		BM 712-4
23.3	101	2	60	BW 75_60		BM 712-4
23.7	104	2.7	118	BC+BW 71+75_118		BM 711-2
23.7	117	2.5	59	BC+BW 71+75_59		BM 712-4
23.7	108	3.3	118	BC+BW 71+86_118		BM 711-2
23.7	117	3.3	59	BC+BW 71+86_59		BM 712-4
23.7	98	1.7	118	BC+BW 71+63_118		BM 711-2
25	105	1.7	56	BC+BW 71+63_56		BM 712-4
25	101	3	56	BW 86_56		BM 712-4
28	88	2.5	50	BW 75_50		BM 712-4
30	97	3.4	30	BC+BW 80+75_30		BM 801-6
30	96	3.9	30	BC+BW 80+86_30		BM 801-6
31.1	73	0.9	45	BVF 49_45		BM 712-4
31.1	78	1.9	45	BW 63_45		BM 712-4
31.8	80	2.1	88	BC+BW 71+63_88		BM 711-2
31.8	87	2.1	44	BC+BW 71+63_44		BM 712-4
31.8	85	3.4	88	BC+BW 71+75_88		BM 711-2
31.8	91	3.2	44	BC+BW 71+75_44		BM 712-4
35	74	3.4	40	BW 75_40		BM 712-4



WORM GEAR BOXES

n_2 (rpm)	M_2 (Nm)	S	i			
----------------	---------------	---	---	---	---	---

0.37KW


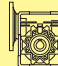
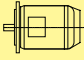
36.8	69	2.3	38	BW 63_38	BM 712-4
37.8	73	3.7	74	BC+BW 71+75_74	BM 711-2
38.9	62	1.1	36	BVF 49_36	BM 712-4
40	72	2.3	35	BC+BW 71+63_35	BM 712-4
39.4	69	2.4	71	BC+BW 71+63_71	BM 711-2
42.9	70	3.5	21	BC+BW 80+75_21	BM 801-6
46.7	57	2.8	30	BW 63_30	BM 712-4
48.3	62	2.7	29	BC+BW 71+63_29	BM 712-4
50	57	2.9	56	BC+BW 71+63_56	BM 711-2
50	51	1.4	28	BVF 49_28	BM 712-4
58.3	46	1.4	24	BVF 49_24	BM 712-4
58.3	48	3.2	24	BW 63_24	BM 712-4
63.6	46	3.5	44	BC+BW 71+63_44	BM 711-2
64.3	42	1.7	14	BVF 49_14	BM 801-6
66.7	45	3.1	21	BC+BW 71+63_21	BM 712-4
70	40	1	20	BVF 44_20	BM 712-4
73.7	40	3.8	19	BW 63_19	BM 712-4
77.8	36	1.6	18	BVF 49_18	BM 712-4
80	38	4	35	BC+BW 71+63_35	BM 711-2
80	33	0.9	35	BVF 44_35	BM 711-2
90	32	2	10	BVF 49_10	BM 801-6
100	29	1	14	BVF 44_14	BM 712-4
100	29	2.2	14	BVF 49_14	BM 712-4
116.7	24	2	24	BVF 49_24	BM 711-2
140	22	1.3	10	BVF 44_10	BM 712-4
140	22	2.7	10	BVF 49_10	BM 712-4
140	21	1.4	20	BVF 44_20	BM 711-2
155.6	19	2.3	18	BVF 49_18	BM 711-2
200	16	1.9	7	BVF 44_7	BM 712-4
200	16	3.5	7	BVF 49_7	BM 712-4
280	11	2	10	BVF 44_10	BM 711-2
400	8	2.8	7	BVF 44_7	BM 711-2

0.55KW

6.5	493	0.9	138	BC+BW 80+86_138	BM 802-6
7.5	283	1.2	120	BC+BW 80+75_120	BM 802-6
7.5	442	1	120	BC+BW 80+86_120	BM 802-6
7.3	418	0.8	192	BC+BW 80+86_192	BM 801-4
8.3	380	0.9	168	BC+BW 80+86_168	BM 801-4
9.3	328	0.8	150	BC+BW 80+75_150	BM 801-4
10	352	1.1	90	BC+BW 80+75_90	BM 802-6
10	337	1.5	90	BC+BW 80+86_90	BM 802-6
10.1	328	1.2	138	BC+BW 80+86_138	BM 801-4
11.3	269	1	80	BW 86_80	BM 802-6
11.9	243	0.8	235	BC+BW 71+75_235	BM 712-2
11.7	283	1.1	120	BC+BW 80+75_120	BM 801-4
11.7	297	1.3	120	BC+BW 80+86_120	BM 801-4
12	307	1.1	75	BC+BW 80+75_75	BM 802-6

WORM GEAR BOXES




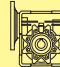
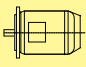
n_2 (rpm)	M_2 (Nm)	S	i			
----------------	---------------	---	---	--	---	---

0.55KW

13	295	1.3	69	BC+BW 80+86_69		BM 802-6
14	225	1	100	BW 86_100		BM 801-4
15	263	1.3	60	BC+BW 80+75_60		BM 802-6
15	263	1.6	60	BC+BW 80+86_60		BM 802-6
15.6	233	1.4	90	BC+BW 80+75_90		BM 801-4
15.6	226	2	90	BC+BW 80+86_90		BM 801-4
16.1	202	1.1	174	BC+BW 71+75_174		BM 712-2
16.1	211	1.5	56	BW 86_56		BM 802-6
17.5	180	1	80	BW 75_80		BM 801-4
17.5	195	1.3	80	BW 86_80		BM 801-4
19	177	1.3	147	BC+BW 71+75_147		BM 712-2
18.7	205	1.4	75	BC+BW 80+75_75		BM 801-4
20	162	1	45	BW 63_45		BM 802-6
20	205	1.7	45	BC+BW 80+75_45		BM 802-6
20	200	2.3	45	BC+BW 80+86_45		BM 802-6
20.3	195	2	69	BC+BW 80+86_69		BM 801-4
21.2	160	1	132	BC+BW 71+63_132		BM 712-2
21.9	166	1.7	64	BW 86_64		BM 801-4
22.5	162	2.2	40	BW 86_40		BM 802-6
23.3	148	1.3	60	BW 75_60		BM 801-4
23.3	174	2.2	60	BC+BW 80+86_60		BM 801-4
23.7	154	1.8	118	BC+BW 71+75_118		BM 712-2
23.7	143	1.2	38	BW 86_38		BM 802-6
25	146	1.1	112	BC+BW 71+63_112		BM 712-2
25	149	2	56	BW 86_56		BM 801-4
28	129	1.7	50	BW 75_50		BM 801-4
30	144	2.3	30	BC+BW 80+75_30		BM 802-6
30	97	3.4	30	BC+BW 80+75_30		BM 802-6
30	142	2.6	30	BC+BW 80+86_30		BM 802-6
30.4	128	2.7	46	BW 86_46		BM 801-4
31.1	115	1.3	45	BW 63_45		BM 801-4
31.1	133	3	45	BC+BW 80+86_45		BM 801-4
31.8	125	2.3	88	BC+BW 71+75_88		BM 712-2
31.8	119	1.4	88	BC+BW 71+63_88		BM 712-2
35	110	2.3	40	BW 75_40		BM 801-4
35	114	2.9	40	BW 86_40		BM 801-4
36.8	101	1.5	38	BW 63_38		BM 801-4
37.8	109	2.5	74	BC+BW 71+75_74		BM 712-2
39.4	102	1.6	71	BC+BW 71+63_71		BM 712-2
39.1	105	3.3	23	BW 86_23		BM 802-6
42.9	70	3.5	21	BC+BW 80+75_21		BM 802-6
42.9	102	3.2	21	BC+BW 80+86_21		BM 802-6
46.7	84	1.9	30	BW 63_30		BM 801-4
46.7	88	3.1	30	BW 75_30		BM 801-4
47.5	90	3	59	BC+BW 71+75_59		BM 712-2
46.7	92	3.8	30	BC+BW 80+86_30		BM 801-4
50	84	1.9	56	BC+BW 71+63_56		BM 712-2
50	76	1	28	BVF 49_28		BM 801-4
56	76	3.3	25	BW 75_25		BM 801-4



WORM GEAR BOXES

n_2 (rpm)	M_2 (Nm)	S	i			
----------------	---------------	---	---	---	---	---

0.55KW


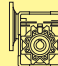
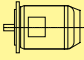
58.3	69	0.9	24	BVF 49_24	BM 801-4
58.3	71	2.2	24	BW 63_24	BM 801-4
63.6	68	2.4	44	BC+BW 71+63_44	BM 712-2
63.6	71	3.9	44	BC+BW 71+75_44	BM 712-2
64.3	62	1.1	14	BVF 49_14	BM 802-6
73.7	59	2.6	19	BW 63_19	BM 801-4
80	56	2.7	35	BC+BW 71+63_35	BM 712-2
77.8	53	1.1	18	BVF 49_18	BM 801-4
90	47	1.4	10	BVF 49_10	BM 802-6
96.6	48	3.2	29	BC+BW 71+63_29	BM 712-2
93.3	47	3.2	15	BW 63_15	BM 801-4
100	43	1.5	14	BVF 49_14	BM 801-4
116.7	39	3.6	12	BW 63_12	BM 801-4
116.7	35	1.3	24	BVF 49_24	BM 712-2
128.6	35	3.7	7	BW 63_7	BM 802-6
133.3	35	3.8	21	BC+BW 71+63_21	BM 712-2
140	32	1.8	10	BVF 49_10	BM 801-4
140	30	1	20	BVF 44_20	BM 712-2
155.6	28	1.6	18	BVF 49_18	BM 712-2
200	23	2.4	7	BVF 49_7	BM 801-4
280	16	1.4	10	BVF 44_10	BM 712-2
280	16	2.7	10	BVF 49_10	BM 712-2
400	12	1.9	7	BVF 44_7	BM 712-2

0.75KW

8.1	549	0.8	111	BC+BW 90+86_111	BM 90S-6
9.3	493	1	97	BC+BW 90+86_97	BM 90S-6
10.1	447	0.9	138	BC+BW 80+86_138	BM 802-4
11.7	362	0.8	240	BC+BW 80+86_240	BM 801-2
11.7	404	1	120	BC+BW 80+86_120	BM 802-4
12.3	373	1	73	BC+BW 90+86_73	BM 90S-6
12.3	396	0.8	73	BC+BW 90+75_73	BM 90S-6
14.1	314	1	64	BW 86_64	BM 90S-6
14.6	310	1	192	BC+BW 80+86_192	BM 801-2
14.8	349	0.8	61	BC+BW 90+75_61	BM 90S-6
15.6	276	0.8	180	BC+BW 80+75_180	BM 801-2
15.6	317	1	90	BC+BW 80+75_90	BM 802-4
15.6	308	1.4	90	BC+BW 80+86_90	BM 802-4
16.1	288	1.1	56	BW 86_56	BM 90S-6
16.1	330	1.3	56	BC+BW 90+86_56	BM 90S-6
16.7	284	1.1	168	BC+BW 80+86_168	BM 801-2
17.5	262	1	80	BW 86_80	BM 802-4
18	245	1	50	BW 75_50	BM 90S-6
18.7	242	1	150	BC+BW 80+75_150	BM 801-2
18.7	280	1	75	BC+BW 80+75_75	BM 802-4
18.8	290	1	48	BC+BW 90+75_48	BM 90S-6
18.8	290	1.6	48	BC+BW 90+86_48	BM 90S-6
20.3	244	1.5	138	BC+BW 80+86_138	BM 801-2
20.3	265	1.4	69	BC+BW 80+86_69	BM 802-4

WORM GEAR BOXES





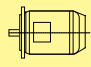
n_2 (rpm)	M_2 (Nm)	S	i			
----------------	---------------	---	---	--	---	---

0.75KW

21.9	223	1.3	64		BW 86_64	BM 802-4
22.5	212	1.3	40		BW 75_40	BM 90S-6
23.3	200	1	60		BW 75_60	BM 802-4
23.3	209	1.3	120		BC+BW 80+75_120	BM 801-2
23.3	237	1.2	60		BC+BW 80+75_60	BM 802-4
23.3	219	1.6	120		BC+BW 80+86_120	BM 801-2
23.3	237	1.6	60		BC+BW 80+86_60	BM 802-4
25	201	1.5	56		BW 86_56	BM 802-4
25	221	1.7	36		BC+BW 90+86_36	BM 90S-6
25	230	1.3	36		BC+BW 90+75_36	BM 90S-6
28	174	1.3	50		BW 75_50	BM 802-4
30.4	172	2	46		BW 86_46	BM 802-4
31.1	154	0.9	45		BW 63_45	BM 802-4
31.1	171	1.7	90		BC+BW 80+75_90	BM 801-2
31.1	185	1.6	45		BC+BW 80+75_45	BM 802-4
31.1	169	2.4	90		BC+BW 80+86_90	BM 801-2
31.1	181	2.2	45		BC+BW 80+86_45	BM 802-4
35	147	1.7	40		BW 75_40	BM 802-4
35	153	2.2	40		BW 86_40	BM 802-4
36.8	136	1.1	38		BW 63_38	BM 802-4
37.3	148	1.8	75		BC+BW 80+75_75	BM 801-2
37.5	157	2.1	24		BC+BW 90+86_24	BM 90S-6
37.5	159	1.7	24		BC+BW 90+75_24	BM 90S-6
39.1	143	2.4	23		BW 86_23	BM 90S-6
40.6	140	2.5	69		BC+BW 80+86_69	BM 801-2
46.7	114	1.4	30		BW 63_30	BM 802-4
46.7	118	2.3	30		BW 75_30	BM 802-4
46.7	117	3.2	30		BW 86_30	BM 802-4
46.7	129	2.1	30		BC+BW 80+75_30	BM 802-4
46.7	124	2.8	60		BC+BW 80+86_60	BM 801-2
46.7	125	2.8	30		BC+BW 80+86_30	BM 802-4
56	102	2.4	25		BW 75_25	BM 802-4
58.3	96	1.6	24		BW 63_24	BM 802-4
60.9	96	3.3	23		BW 86_23	BM 802-4
62.2	96	2.8	45		BC+BW 80+75_45	BM 801-2
62.2	95	3.7	45		BC+BW 80+86_45	BM 801-2
66.7	93	2.4	21		BC+BW 80+75_21	BM 802-4
66.7	91	3.2	21		BC+BW 80+86_21	BM 802-4
70	85	2.9	20		BW 75_20	BM 802-4
73.7	79	1.9	19		BW 63_19	BM 802-4
93.3	64	2.4	15		BW 63_15	BM 802-4
93.3	66	3.8	30		BC+BW 80+75_30	BM 801-2
100	58	1.1	14		BVF 045_14	BM 802-4
116.7	49	1	24		BVF 49_24	BM 801-2
116.7	52	2.7	12		BW 63_12	BM 802-4
128.6	47	2.7	7		BW 63_7	BM 90S-6
140	43	1.4	10		BVF 49_10	BM 802-4
140	44	3.2	10		BW 63_10	BM 802-4
186.7	33	3.8	15		BW 63_15	BM 801-2



WORM GEAR BOXES

n_2 (rpm)	M_2 (Nm)	S	i			
----------------	---------------	---	---	---	---	---

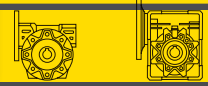
0.75KW


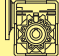
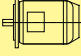
200	31	1.8	7	BVF 49_7		BM 802-4
200	32	3.8	7	BW 63_7		BM 802-4
280	22	2	10	BVF 49_10		BM 801-2
400	16	2.6	7	BVF 49_7		BM 801-2

1.1KW

16.1	483	0.9	56	BC+BW 90+86_56		BM 90L-6
16.7	416	0.8	168	BC+BW 80+86_168		BM 802-2
18.8	425	1.1	48	BC+BW 90+86_48		BM 90L-6
19.2	387	0.9	73	BC+BW 90+86_73		BM 90S-4
19.6	362	1	46	BW 86_46		BM 90L-6
20.3	358	1	138	BC+BW 80+86_138		BM 802-2
22.5	324	1.1	40	BW 86_40		BM 90L-6
23.3	307	0.9	120	BC+BW 80+75_120		BM 802-2
23.3	321	1.1	120	BC+BW 80+86_120		BM 802-2
25	294	1	56	BW 86_56		BM 90S-4
25	328	0.9	56	BC+BW 90+86_56		BM 90S-4
25	324	1.2	36	BC+BW 90+86_36		BM 90L-6
25	337	0.9	36	BC+BW 90+75_36		BM 90L-6
29.2	290	1.1	48	BC+BW 90+86_48		BM 90S-4
30.4	252	1.3	46	BW 86_46		BM 90S-4
31.1	250	1.2	90	BC+BW 80+75_90		BM 802-2
31.1	248	1.6	90	BC+BW 80+86_90		BM 802-2
35	216	1.2	40	BW 75_40		BM 90S-4
35	225	1.5	40	BW 86_40		BM 90S-4
37.3	217	1.2	75	BC+BW 80+75_75		BM 802-2
37.5	230	1.4	24	BC+BW 90+86_24		BM 90L-6
37.5	233	1.2	24	BC+BW 90+75_24		BM 90L-6
39.1	210	1.6	23	BW 86_23		BM 90L-6
38.9	216	1.5	36	BC+BW 90+86_36		BM 90S-4
38.9	222	1.1	36	BC+BW 90+75_36		BM 90S-4
40.6	205	1.7	69	BC+BW 80+86_69		BM 802-2
46.7	167	1	30	BW 63_30		BM 90S-4
46.7	173	1.6	30	BW 75_30		BM 90S-4
46.7	171	2.2	30	BW 86_30		BM 90S-4
46.7	180	1.5	60	BC+BW 80+75_60		BM 802-2
46.7	181	1.9	60	BC+BW 80+86_60		BM 802-2
56	150	1.7	25	BW 75_25		BM 90S-4
58.3	140	1.1	24	BW 63_24		BM 90S-4
58.3	153	1.8	24	BC+BW 90+86_24		BM 90S-4
58.3	154	1.4	24	BC+BW 90+75_24		BM 90S-4
60.9	142	2.3	23	BW 86_23		BM 90S-4
62.2	141	1.9	45	BC+BW 80+75_45		BM 802-2
62.2	139	2.6	45	BC+BW 80+86_45		BM 802-2
70	125	2	20	BW 75_20		BM 90S-4
70	126	2.5	20	BW 86_20		BM 90S-4
73.7	115	1.3	19	BW 63_19		BM 90S-4
93.3	93	1.6	15	BW 63_15		BM 90S-4
93.3	96	2.6	15	BW 75_15		BM 90S-4
93.3	96	3.4	15	BW 86_15		BM 90S-4

WORM GEAR BOXES



n_2 (rpm)	M_2 (Nm)	S	i			
----------------	---------------	---	---	--	---	---

1.1KW


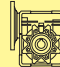
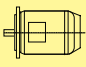
93.3	97	2.6	30	BC+BW 80+75_30		BM 802-2
93.3	98	3.2	30	BC+BW 80+86_30		BM 802-2
116.7	77	1.8	12	BW 63_12		BM 90S-4
133.3	70	3	21	BC+BW 80+75_21		BM 802-2
133.3	70	3.9	21	BC+BW 80+86_21		BM 802-2
140	65	2.2	10	BW 63_10		BM 90S-4
140	66	3.5	10	BW 75_10		BM 90S-4
186.7	48	2.6	15	BW 63_15		BM 802-2
200	44	1.1	14	BVF 49_14		BM 802-2
200	46	2.6	7	BW 63_7		BM 90S-4
233.3	39	3.2	12	BW 63_12		BM 802-2
280	32	1.4	10	BVF 49_10		BM 802-2
280	33	3.8	10	BW 63_10		BM 802-2
400	23	1.8	7	BVF 49_7		BM 802-2

1.5KW

25	447	0.9	56	BC+BW 90+86_56		BM 90L1-4
25.2	415	0.8	111	BC+BW 90+86_111		BM 90S-2
28.9	372	0.8	97	BC+BW 90+86_97		BM 90S-2
29.2	396	1	48	BC+BW 90+86_48		BM 90L1-4
30.4	341	1	46	BW 86_46		BM 90L1-4
35	305	1.1	40	BW 86_40		BM 90L1-4
38.4	279	1.3	73	BC+BW 90+86_73		BM 90S-2
38.9	302	0.9	36	BC+BW 90+75_36		BM 90L1-4
39.1	280	1.2	23	BW 86_23		BM 100L-6
38.9	294	1.2	36	BC+BW 90+86_36		BM 90L1-4
46.7	235	1.2	30	BW 75_30		BM 90L1-4
46.7	232	1.6	30	BW 86_30		BM 90L1-4
38.4	291	0.9	73	BC+BW 90+75_73		BM 90S-2
45.9	250	1	61	BC+BW 90+75_61		BM 90S-2
50	235	1.3	56	BC+BW 90+86_56		BM 90S-2
56	203	1.2	25	BW 75_25		BM 90L1-4
58.3	131	2.3	48	BC+BW 90+86_48		BM 90S-2
58.3	208	1.4	24	BC+BW 90+86_24		BM 90L1-4
58.3	204	1.2	48	BC+BW 90+75_48		BM 90S-2
58.3	209	1.2	24	BC+BW 90+75_24		BM 90L1-4
60.9	192	1.7	23	BW 86_23		BM 90L1-4
70	169	1.5	20	BW 75_20		BM 90L1-4
70	171	1.9	20	BW 86_20		BM 90L1-4
73.7	156	1	19	BW 63_19		BM 90L1-4
77.8	155	2	36	BC+BW 90+86_36		BM 90S-2
77.8	157	1.5	36	BC+BW 90+75_36		BM 90S-2
93.3	126	1.2	15	BW 63_15		BM 90L1-4
93.3	130	1.9	15	BW 75_15		BM 90L1-4
93.3	130	2.5	15	BW 86_15		BM 90L1-4
116.7	104	1.4	12	BW 63_12		BM 90L1-4
116.7	107	2.6	24	BC+BW 90+86_24		BM 90S-2
116.7	108	2	24	BC+BW 90+75_24		BM 90S-2
128.6	94	2.2	7	BW 75_7		BM 100L-6



WORM GEAR BOXES

n_2 (rpm)	M_2 (Nm)	S	i			
----------------	---------------	---	---	---	---	---

1.5KW

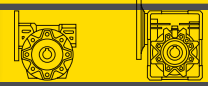
140	87	1.6	10	BW 63_10	BM 90L1-4
140	89	2.6	10	BW 75_10	BM 90L1-4
140	89	3.2	10	BW 86_10	BM 90L1-4
200	63	1.9	7	BW 63_7	BM 90L1-4
200	64	3	7	BW 75_7	BM 90L1-4
200	63	3.9	7	BW 86_7	BM 90L1-4
233.3	53	2.3	12	BW 63_12	BM 90S-2
280	45	2.8	10	BW 63_10	BM 90S-2

2.2KW

38.4	411	0.9	73	BC+BW 90+86_73	BM 90L1-2
46.7	340	1.1	30	BW 86_30	BM 100L1-4
58.3	191	1.6	48	BC+BW 90+86_48	BM 90L1-2
60.9	281	1.1	23	BW 86+23	BM 100L1-4
70	247	1	20	BW 75_20	BM 100L1-4
70	250	1.3	20	BW 86_20	BM 100L1-4
77.8	227	1.4	36	BC+BW 90+86_36	BM 90L1-2
77.8	230	1	36	BC+BW 90+75_36	BM 90L1-2
93.3	190	1.3	15	BW 75_15	BM 100L1-4
93.3	190	1.7	15	BW 86_15	BM 100L1-4
116.7	157	1.8	24	BC+BW 90+86_24	BM 90L1-2
116.7	159	1.4	24	BC+BW 90+75_24	BM 90L1-2
128.6	139	1.5	7	BW 75_7	BM 112M-6
128.6	139	1.9	7	BW 86_7	BM 112M-6
140	135	1.8	10	BW 75_10	BM 100L1-4
140	131	2.2	10	BW 86_10	BM 100L1-4
186.7	99	2.3	15	BW 75_15	BM 90L1-2
186.7	98	3	15	BW 86_15	BM 90L1-2
186.7	94	1.3	15	BW 63_15	BM 90L1-2
200	94	2	7	BW 75_7	BM 100L1-4
200	93	2.7	7	BW 86_7	BM 100L1-4
233.3	76	1.6	12	BW 63_12	BM 90L1-2
280	67	3	10	BW 75_10	BM 90L1-2
280	64	1.9	10	BW 63_10	BM 90L1-2
400	48	3.6	7	BW 75_7	BM 90L1-2
400	46	2.3	7	BW 63_7	BM 90L1-2

4.0KW

140	242	1	10	BW 75_10	BM 112M-4
140	242	1.2	10	BW 86_10	BM 112M-4
186.7	176	1.3	15	BW 75_15	BM 100L2-2
186.7	174	1.7	15	BW 86_15	BM 100L2-2
200	173	1.1	7	BW 75_7	BM 112M-4
200	171	1.5	7	BW 86_7	BM 112M-4
280	120	1.7	10	BW 75_10	BM 100L2-2
280	120	2.2	10	BW 86_10	BM 100L2-2
400	85	2	7	BW 75_7	BM 100L2-2
400	85	2.7	7	BW 86_7	BM 100L2-2



RATING CHARTS

BVF 30

24 Nm

	i	n ₂ (rpm)	M _{n2} (Nm)	P _{n1} (KW)	R _{n1} (N)	R _{n2} (N)	η _d (%)	n ₂ (rpm)	M _{n2} (Nm)	P _{n1} (KW)	R _{n1} (N)	R _{n2} (N)	η _d (%)
		n ₁ =2800 rpm						n ₁ =1400 rpm					
BVF 30_7	7	400	12	0.58	120	510	87	200	16	0.41	140	630	84
BVF 30_10	10	280	12	0.41	70	620	85	140	16	0.30	80	770	81
BVF 30_15	15	187	14	0.34	-	720	81	93	18	0.24	-	910	76
BVF 30_20	20	140	14	0.26	-	820	78	70	18	0.19	-	1030	73
BVF 30_30	30	93	15	0.21	-	960	71	47	20	0.15	-	1200	65
BVF 30_40	40	70	14	0.16	-	1090	66	35	19	0.12	-	1360	60
BVF 30_60	60	47	14	0.12	-	1270	59	23.3	19	0.09	-	1590	51
BVF 30_70	70	40	11	0.18	-	1380	55	20.0	15	0.07	-	1600	48
n ₁ =900 rpm						n ₁ =500 rpm							
BVF 30_7	7	129	18	0.30	150	730	82	71	20	0.19	150	920	81
BVF 30_10	10	90	18	0.22	150	900	79	50	20	0.14	150	1120	77
BVF 30_15	15	60	20	0.17	-	1060	74	33	22	0.11	150	1320	71
BVF 30_20	20	45	20	0.14	-	1200	70	25	22	0.09	150	1490	67
BVF 30_30	30	30	22	0.12	-	1400	61	16.7	24	0.07	-	1700	58
BVF 30_40	40	23	20	0.09	-	1590	56	12.5	22	0.06	-	1700	53
BVF 30_60	60	15	20	0.07	-	1650	48	8.3	22	0.05	-	1700	44
BVF 30_70	70	13	17	0.05	-	1700	45	7	19	0.04	-	1700	41

BVF 44

55 Nm

	i	n ₂ (rpm)	M _{n2} (Nm)	P _{n1} (KW)	R _{n1} (N)	R _{n2} (N)	η _d (%)	n ₂ (rpm)	M _{n2} (Nm)	P _{n1} (KW)	R _{n1} (N)	R _{n2} (N)	η _d (%)
		n ₁ =2800 rpm						n ₁ =1400 rpm					
BVF 44_7	7	400	22	1.1	220	950	88	200	29	0.75	220	1180	86
BVF 44_10	10	280	22	0.74	220	1150	87	140	29	0.51	220	1430	84
BVF 44_14	14	200	22	0.55	220	1340	84	100	29	0.37	220	1680	81
BVF 44_20	20	140	29	0.52	220	1490	81	70	39	0.37	220	1860	77
BVF 44_28	28	100	29	0.40	220	1710	76	50	39	0.29	220	2140	71
BVF 44_35	35	80	29	0.33	220	1870	73	40	39	0.25	220	2300	68
BVF 44_46	46	61	29	0.27	220	2080	69	30	39	0.19	220	2300	63
BVF 44_60	60	47	29	0.22	220	2290	65	23.3	39	0.16	220	2300	58
BVF 44_70	70	40	22	0.15	220	2300	62	20	29	0.11	220	2300	55
BVF 44_100	100	28	21	0.11	220	2300	55	14	28	0.09	220	2300	47
n ₁ =900 rpm						n ₁ =500 rpm							
BVF 44_7	7	129	39	0.63	220	1300	85	71	45	0.41	220	1610	83
BVF 44_10	10	90	39	0.45	220	1610	82	50	45	0.29	220	1980	80
BVF 44_14	14	64	39	0.34	220	1890	78	36	50	0.25	220	2280	76
BVF 44_20	20	45	45	0.29	220	2160	74	25	50	0.18	220	2500	72
BVF 44_28	28	32	49	0.24	220	2300	67	17.9	55	0.16	220	2500	64
BVF 44_35	35	25.7	49	0.2	220	2300	64	14.3	55	0.14	220	2500	60
BVF 44_46	46	19.6	49	0.17	220	2300	59	10.9	50	0.1	220	2500	55
BVF 44_60	60	15	45	0.13	220	2300	54	8.3	50	0.09	220	2500	50
BVF 44_70	70	12.9	39	0.1	220	2300	51	7.1	45	0.07	220	2500	47
BVF 44_100	100	9	30	0.06	220	2300	43	5	32	0.04	220	2500	39

BVF 30 + BVF 44

70 Nm

	i	n ₂ (rpm)	M _{n2} (Nm)	P _{n1} (KW)	R _{n1} (N)	R _{n2} (N)	η _d (%)	n ₂ (rpm)	M _{n2} (Nm)	P _{n1} (KW)	R _{n1} (N)	R _{n2} (N)	η _d (%)
		n ₁ =1400 rpm						n ₁ =900 rpm					
BVF 30 + BVF 44_245	245	5.7	60	0.09	140	2500	40	3.7	70	0.07	150	2500	38
BVF 30 + BVF 44_350	350	4.0	60	0.07	80	2500	36	2.6	70	0.05	150	2500	38
BVF 30 + BVF 44_420	420	3.3	60	0.06	-	2500	35	2.1	70	0.04	-	2500	39
BVF 30 + BVF 44_560	560	2.5	60	0.05	-	2500	31	1.6	70	0.04	-	2500	29
BVF 30 + BVF 44_700	700	2.0	60	0.04	-	2500	31	1.3	70	0.03	-	2500	31
BVF 30 + BVF 44_840	840	1.7	60	0.04	-	2500	26	1.1	70	0.03	-	2500	26
BVF 30 + BVF 44_1120	1120	1.3	60	0.03	-	2500	26	0.80	70	0.02	-	2500	29
BVF 30 + BVF 44_1680	1680	0.83	60	0.02	-	2500	26	0.54	70	0.02	-	2500	20
BVF 30 + BVF 44_2100	2100	0.67	60	0.02	-	2500	21	0.43	70	0.02	-	2500	16

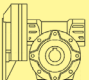




WORM GEAR BOXES

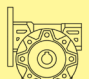
BVF 44 + BC

95 Nm

	i	n ₂	M _{n2}	P _{n1}	R _{n1}	R _{n2}	η _d	n ₂	M _{n2}	P _{n1}	R _{n1}	R _{n2}	η _d
		(rpm)	(Nm)	(KW)	(N)	(N)	(%)	(rpm)	(Nm)	(KW)	(N)	(N)	(%)
		n₁=2800 rpm						n₁=1400 rpm					
BVF 44 + BC_103	103	27.2	42	0.18	150	1900	65	13.6	50	0.11	150	1870	62
BVF 44 + BC_135	135	20.7	42	0.15	150	2150	59	10.4	50	0.09	150	2300	60
BVF 44 + BC_176	176	15.9	40	0.13	150	3000	52	8	47	0.08	150	3300	50
BVF 44 + BC_294	294	9.5	36	0.08	150	3000	43	4.8	36	0.04	150	3300	42
		n₁=900 rpm						n₁=500 rpm					
BVF 44 + BC_103	103	8.7	42	0.06	150	2050	60	4.9	42	0.04	15	1870	58
BVF 44 + BC_135	135	6.7	42	0.05	150	2330	58	3.7	42	0.03	150	2250	54
BVF 44 + BC_176	176	5.1	40	0.04	150	3400	49	2.8	40	0.03	150	3400	46
BVF 44 + BC_294	294	3.1	36	0.03	150	3400	41	1.7	36	0.02	150	3400	39

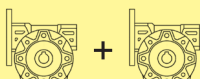
BVF 49

88 Nm

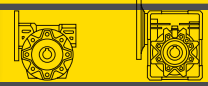
	i	n ₂	M _{n2}	P _{n1}	R _{n1}	R _{n2}	η _d	n ₂	M _{n2}	P _{n1}	R _{n1}	R _{n2}	η _d
		(rpm)	(Nm)	(KW)	(N)	(N)	(%)	(rpm)	(Nm)	(KW)	(N)	(N)	(%)
		n₁=2800 rpm						n₁=1400 rpm					
BVF 49_7	7	400	41	2.0	400	950	88	200	54	1.3	400	1170	86
BVF 49_10	10	280	44	1.5	400	1140	86	140	59	1.0	400	1410	84
BVF 49_14	14	200	49	1.2	400	1310	84	100	65	0.90	400	1630	81
BVF 49_18	18	156	44	0.87	400	1520	82	78	59	0.60	400	1890	78
BVF 49_24	24	117	47	0.73	400	1670	79	58	63	0.50	400	2110	75
BVF 49_28	28	100	56	0.78	400	1740	75	50	74	0.55	400	2170	71
BVF 49_36	36	78	52	0.59	400	1970	72	39	69	0.42	400	2460	67
BVF 49_45	45	62	49	0.46	400	2180	69	31	65	0.33	400	2725	63
BVF 49_60	60	47	44	0.34	400	2480	64	23.3	59	0.25	400	3100	58
BVF 49_70	70	40	41	0.28	400	2650	61	20.0	55	0.21	400	3150	54
BVF 49_80	80	35	41	0.25	400	2780	59	17.5	54	0.19	400	3150	52
BVF 49_100	100	28	37	0.20	400	3050	54	14.0	49	0.13	400	3150	47
		n₁=900 rpm						n₁=500 rpm					
BVF 49_7	7	129	61	0.97	400	1370	85	71	74	0.67	400	1670	83
BVF 49_10	10	90	64	0.75	400	1670	82	50	74	0.49	400	2060	80
BVF 49_14	14	64	71	0.61	400	1920	78	36	78	0.39	400	2400	75
BVF 49_18	18	50	68	0.47	400	2190	75	27.8	74	0.3	400	2730	72
BVF 49_24	24	38	68	0.36	400	2480	71	20.8	74	0.24	400	3090	68
BVF 49_28	28	32	82	0.41	400	2540	67	17.9	88	0.26	400	3180	63
BVF 49_36	36	25	75	0.31	400	2880	63	13.9	80	0.2	400	3450	59
BVF 49_45	45	20	71	0.25	400	3190	59	11.1	78	0.17	400	3450	55
BVF 49_60	60	15	64	0.19	400	3300	53	8.3	69	0.12	400	3450	49
BVF 49_70	70	12.9	60	0.16	400	3300	50	7.1	69	0.11	400	3450	46
BVF 49_80	80	11.3	58	0.14	400	3300	47	6.3	59	0.09	400	3450	43
BVF 49_100	100	9	52	0.11	400	3300	42	5	59	0.08	400	3450	38

BVF 30 + BVF 49

100 Nm

	i	n ₂	M _{n2}	P _{n1}	R _{n1}	R _{n2}	η _d	n ₂	M _{n2}	P _{n1}	R _{n1}	R _{n2}	η _d
		(rpm)	(Nm)	(KW)	(N)	(N)	(%)	(rpm)	(Nm)	(KW)	(N)	(N)	(%)
		n₁=1400 rpm						n₁=900 rpm					
BVF 30 + BVF 49_240	240	5.8	95	0.13	80	3450	45	3.8	100	0.09	150	3450	44
BVF 30 + BVF 49_315	315	4.4	95	0.11	140	3450	40	2.9	100	0.07	150	3450	43
BVF 30 + BVF 49_420	420	3.3	95	0.08	-	3450	41	2.1	100	0.06	-	3450	37
BVF 30 + BVF 49_540	540	2.6	95	0.07	-	3450	37	1.7	100	0.05	-	3450	35
BVF 30 + BVF 49_720	720	1.9	95	0.05	-	3450	39	1.3	100	0.04	-	3450	33
BVF 30 + BVF 49_900	900	1.6	95	0.05	-	3450	31	1	100	0.04	-	3450	26
BVF 30 + BVF 49_1120	1120	1.3	95	0.04	-	3450	31	0.8	100	0.03	-	3450	28
BVF 30 + BVF 49_1440	1440	0.97	95	0.04	-	3450	24	0.63	100	0.03	-	3450	22
BVF 30 + BVF 49_2160	2160	0.65	95	0.03	-	3450	21	0.42	100	0.02	-	3450	22
BVF 30 + BVF 49_2700	2700	0.52	95	0.03	-	3450	17	0.33	100	0.02	-	3450	17





BVF 49 + BC

95 Nm

	i	n ₂ (rpm)	M _{n2} (Nm)	P _{n1} (KW)	R _{n1} (N)	R _{n2} (N)	η _d (%)	n ₂ (rpm)	M _{n2} (Nm)	P _{n1} (KW)	R _{n1} (N)	R _{n2} (N)	η _d (%)
		n ₁ =2800 rpm						n ₁ =1400 rpm					
BVF 49 + BC_41	41	68.3	71	0.65	230	1920	78	34.1	78	0.37	230	2500	75
BVF 49 + BC_53	53	52.8	68	0.5	230	2180	77	26.4	74	0.28	230	2830	74
BVF 49 + BC_71	71	39.4	68	0.4	230	2470	71	19.7	74	0.22	230	3190	70
BVF 49 + BC_82	82	34.1	82	0.44	230	2520	67	17.1	88	0.25	230	3290	63
BVF 49 + BC_106	106	26.4	75	0.33	230	2860	64	13.2	80	0.19	230	3450	59
BVF 49 + BC_132	132	21.2	71	0.27	230	3160	58	10.6	88	0.18	230	3450	54
BVF 49 + BC_176	176	15.9	64	0.2	230	3300	53	8	69	0.12	230	3450	48
BVF 49 + BC_206	206	13.6	60	0.17	230	3300	5	6.8	69	0.11	230	3450	45
BVF 49 + BC_235	235	11.9	58	0.15	230	3300	48	6	59	0.09	230	3450	41
BVF 49 + BC_294	294	9.5	52	0.12	230	3300	43	4.8	59	0.08	230	3450	37
		n ₁ =900 rpm						n ₁ =500 rpm					
BVF 49 + BC_41	41	22	82	0.26	230	2960	73	12.2	90	0.16	230	3450	72
BVF 49 + BC_53	53	17	79	0.2	230	3330	72	9.4	83	0.12	230	3450	70
BVF 49 + BC_71	71	12.7	79	0.16	230	3450	67	7	83	0.1	230	3450	62
BVF 49 + BC_82	82	11	91	0.17	230	3450	62	6.1	95	0.1	230	3450	61
BVF 49 + BC_106	106	8.5	84	0.13	230	3450	58	4.7	90	0.08	230	3450	57
BVF 49 + BC_132	132	6.8	82	0.11	230	3450	53	3.8	90	0.07	230	3450	51
BVF 49 + BC_176	176	5.1	75	0.09	230	3450	45	2.8	78	0.05	230	3450	46
BVF 49 + BC_206	206	4.4	75	0.08	230	3450	43	2.4	78	0.05	230	3450	39
BVF 49 + BC_235	235	3.8	64	0.06	230	3450	42	2.1	68	0.04	230	3450	37
BVF 49 + BC_294	294	3.1	63	0.06	230	3450	34	1.7	65	0.04	230	3450	29

BW 63

190 Nm

	i	n ₂ (rpm)	M _{n2} (Nm)	P _{n1} (KW)	R _{n1} (N)	R _{n2} (N)	η _d (%)	n ₂ (rpm)	M _{n2} (Nm)	P _{n1} (KW)	R _{n1} (N)	R _{n2} (N)	η _d (%)
		n ₁ =2800 rpm						n ₁ =1400 rpm					
BW 63_7	7	400	105	4.9	480	1010	90	200	120	2.9	480	1550	88
BW 63_10	10	280	125	4.2	370	1360	88	140	140	2.4	480	1840	86
BW 63_12	12	233	125	3.5	435	1540	87	117	140	2	480	2070	85
BW 63_15	15	187	125	2.8	410	1770	86	93	150	1.8	480	2280	83
BW 63_19	19	147	130	2.4	310	1990	84	74	150	1.4	480	2600	81
BW 63_24	24	117	130	1.9	370	2250	82	58	155	1.2	480	2890	78
BW 63_30	30	93	125	1.6	440	2540	78	47	160	1.1	480	3170	74
BW 63_38	38	74	130	1.3	330	2800	75	37	155	0.85	480	3580	70
BW 63_45	45	62	130	1.2	380	3020	73	31	145	0.71	480	3920	67
BW 63_64	64	44	110	0.75	480	3650	67	21.9	125	0.47	480	4680	61
BW 63_80	80	35	100	0.59	480	4050	62	17.5	115	0.38	480	5000	56
BW 63_100	100	28	100	0.51	480	4420	58	14	115	0.33	480	5000	51
		n ₁ =900 rpm						n ₁ =500 rpm					
BW 63_7	7	129	130	2	480	1870	87	71	140	1.2	480	2420	84
BW 63_10	10	90	150	1.7	480	2220	84	50	165	1.1	480	2830	81
BW 63_12	12	75	150	1.4	480	2480	82	42	165	0.92	480	3140	79
BW 63_15	15	60	160	1.3	480	2740	80	33	180	0.83	480	3430	76
BW 63_19	19	47	160	1	480	3100	78	26.3	180	0.68	480	3860	73
BW 63_24	24	38	165	0.86	480	3440	75	20.8	185	0.58	480	4280	70
BW 63_30	30	30	170	0.76	480	3770	70	16.7	190	0.52	480	4690	64
BW 63_38	38	23.7	165	0.62	480	4240	66	13.2	185	0.42	480	5000	61
BW 63_45	45	20	155	0.52	480	4630	63	11.1	170	0.34	480	5000	58
BW 63_64	64	14.1	135	0.35	480	5000	56	7.8	150	0.24	480	5000	51
BW 63_80	80	11.3	125	0.28	480	5000	52	6.3	135	0.19	480	5000	46
BW 63_100	100	9	120	0.25	480	5000	46	5	130	0.17	480	5000	41

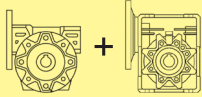




WORM GEAR BOXES

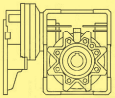
BVF 30 + BW 63

230 Nm

	i	n ₂	M _{n2}	P _{n1}	R _{n1}	R _{n2}	η _d	n ₂	M _{n2}	P _{n1}	R _{n1}	R _{n2}	η _d
		(rpm)	(Nm)	(KW)	(N)	(N)	(%)	(rpm)	(Nm)	(KW)	(N)	(N)	(%)
		n ₁ =1400 rpm						n ₁ =900 rpm					
BVF 30 + BW 63_240	240	5.8	210	0.27	80	5000	47	3.8	230	0.2	150	5000	45
BVF 30 + BW 63_315	315	4.4	210	0.23	140	5000	42	2.9	230	0.17	150	5000	41
BVF 30 + BW 63_450	450	3.1	210	0.17	-	5000	41	2.0	230	0.11	-	5000	42
BVF 30 + BW 63_570	570	2.5	210	0.14	-	5000	40	1.6	230	0.11	-	5000	36
BVF 30 + BW 63_720	720	1.9	210	0.12	-	5000	37	1.3	230	0.09	-	5000	32
BVF 30 + BW 63_900	900	1.6	210	0.11	-	5000	30	1	230	0.08	-	5000	29
BVF 30 + BW 63_1200	1200	1.2	210	0.11	-	5000	24	0.75	230	0.07	-	5000	25
BVF 30 + BW 63_1520	1520	0.92	210	0.08	-	5000	24	0.59	230	0.06	-	5000	23
BVF 30 + BW 63_2280	2280	0.61	210	0.06	-	5000	21	0.39	230	0.04	-	5000	23
BVF 30 + BW 63_2700	2700	0.52	210	0.05	-	5000	22	0.33	230	0.04	-	5000	19

BW 63 + BC

220 Nm

	i	n ₂	M _{n2}	P _{n1}	R _{n1}	R _{n2}	η _d	n ₂	M _{n2}	P _{n1}	R _{n1}	R _{n2}	η _d
		(rpm)	(Nm)	(KW)	(N)	(N)	(%)	(rpm)	(Nm)	(KW)	(N)	(N)	(%)
		n ₁ =2800 rpm						n ₁ =1400 rpm					
BW 63 + BC_21	21	133.3	130	2.1	180	1840	88	66.7	140	1.2	320	2510	83
BW 63 + BC_29	29	96.6	150	1.7	300	2180	88	48.3	165	1	320	2920	83
BW 63 + BC_35	35	80	150	1.5	320	2430	83	40	165	0.85	320	3240	81
BW 63 + BC_44	44	63.6	160	1.3	320	2690	81	31.8	180	0.77	320	3540	78
BW 63 + BC_56	56	50	160	1.1	320	3050	76	25	180	0.63	320	3980	75
BW 63 + BC_71	71	39.4	165	0.9	320	3390	75	19.7	185	0.54	320	4410	72
BW 63 + BC_88	88	31.8	170	0.8	320	3710	72	15.9	190	0.48	320	4830	66
BW 63 + BC_112	112	25	165	0.6	320	4170	70	12.5	185	0.39	320	5000	62
BW 63 + BC_132	132	21.2	155	0.5	320	4560	64	10.6	170	0.32	320	5000	60
BW 63 + BC_188	188	14.9	135	0.4	320	5000	57	7.4	150	0.22	320	5000	53
BW 63 + BC_235	235	11.9	125	0.29	320	5000	54	6	135	0.18	320	5000	47
BW 63 + BC_294	294	9.5	120	0.25	320	5000	48	4.8	130	0.15	320	5000	44
		n ₁ =900 rpm						n ₁ =500 rpm					
BW 63 + BC_21	21	42.9	155	0.83	320	2960	84	23.8	170	0.52	320	3750	81
BW 63 + BC_29	29	31	180	0.72	320	3470	81	17.2	200	0.46	320	4360	79
BW 63 + BC_35	35	25.7	180	0.63	320	3830	77	14.3	200	0.4	320	4790	74
BW 63 + BC_44	44	20.5	190	0.55	320	4230	74	11.4	200	0.34	320	5000	71
BW 63 + BC_56	56	16.1	190	0.44	320	4740	73	8.9	200	0.27	320	5000	70
BW 63 + BC_71	71	12.7	190	0.37	320	5000	69	7	190	0.22	320	5000	64
BW 63 + BC_88	88	10.2	205	0.35	320	5000	63	5.7	220	0.22	320	5000	60
BW 63 + BC_112	112	8	200	0.29	320	5000	58	4.5	210	0.18	320	5000	55
BW 63 + BC_132	132	6.8	180	0.23	320	5000	56	3.8	190	0.15	320	5000	50
BW 63 + BC_188	188	4.8	150	0.16	320	5000	47	2.7	150	0.10	320	5000	42
BW 63 + BC_235	235	3.8	140	0.13	320	5000	43	2.1	140	0.08	320	5000	38
BW 63 + BC_294	294	3.1	130	0.11	320	5000	38	1.7	130	0.07	320	5000	33



BW 75

320 Nm

	i	n ₂ (rpm)	M _{n2} (Nm)	P _{n1} (KW)	R _{n1} (N)	R _{n2} (N)	η _d (%)	n ₂ (rpm)	M _{n2} (Nm)	P _{n1} (KW)	R _{n1} (N)	R _{n2} (N)	η _d (%)
		n ₁ =2800 rpm						n ₁ =1400 rpm					
BW 75_7	7	400	170	7.8	750	700	91	200	190	4.4	750	1530	90
BW 75_10	10	280	205	6.7	750	1610	90	140	230	3.8	750	2240	88
BW 75_15	15	187	225	5.0	750	2120	88	93	250	2.9	750	2870	85
BW 75_20	20	140	225	3.8	750	2550	86	70	250	2.2	750	3410	83
BW 75_25	25	112	225	3.2	750	2900	83	56	250	1.8	750	3840	80
BW 75_30	30	93	240	2.9	750	3100	81	47	270	1.7	750	4090	77
BW 75_40	40	70	225	2.1	750	3660	77	35	255	1.3	750	4770	72
BW 75_50	50	56	195	1.6	750	4180	73	28	220	0.95	750	5410	68
BW 75_60	60	47	180	1.3	750	4610	70	23.3	200	0.75	750	5960	65
BW 75_80	80	35	160	0.9	750	5310	65	17.5	180	0.56	750	6200	59
BW 75_100	100	28	135	0.65	750	5960	61	14	150	0.4	750	6200	55
		n ₁ =900 rpm						n ₁ =500 rpm					
BW 75_7	7	129	205	3.1	750	2120	88	71	225	2	750	2940	86
BW 75_10	10	90	250	2.7	750	2700	86	50	275	1.7	750	3480	84
BW 75_15	15	60	270	2.0	750	3440	83	33	295	1.3	750	4380	80
BW 75_20	20	45	270	1.6	750	4050	80	25	295	1	750	5120	77
BW 75_25	25	36	270	1.3	750	4550	77	20	295	0.85	750	5720	73
BW 75_30	30	30	290	1.2	750	4860	74	16.7	320	0.81	750	6080	69
BW 75_40	40	22.5	275	1	750	5630	68	12.5	305	0.63	750	6200	63
BW 75_50	50	18	235	0.7	750	6200	63	10	260	0.47	750	6200	58
BW 75_60	60	15	215	0.56	750	6200	60	8.3	235	0.37	750	6200	55
BW 75_80	80	11.3	195	0.43	750	6200	54	6.3	215	0.29	750	6200	49
BW 75_100	100	9	160	0.3	750	6200	50	5	180	0.21	750	6200	44

BVF 44 + BW 75

400 Nm

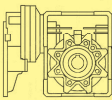
	i	n ₂ (rpm)	M _{n2} (Nm)	P _{n1} (KW)	R _{n1} (N)	R _{n2} (N)	η _d (%)	n ₂ (rpm)	M _{n2} (Nm)	P _{n1} (KW)	R _{n1} (N)	R _{n2} (N)	η _d (%)
		n ₁ =1400 rpm						n ₁ =900 rpm					
BVF 44 + BW 75_250	250	5.6	370	0.38	220	4560	57	3.6	400	0.29	220	4660	52
BVF 44 + BW 75_300	300	4.7	370	0.35	220	5160	51	3.0	400	0.27	220	5150	46
BVF 44 + BW 75_400	400	3.5	370	0.29	220	6200	46	2.3	400	0.22	220	6200	42
BVF 44 + BW 75_525	525	2.7	370	0.23	220	6200	44	1.7	400	0.18	220	6200	41
BVF 44 + BW 75_700	700	2.0	370	0.18	220	6200	42	1.3	400	0.14	220	6200	39
BVF 44 + BW 75_920	920	1.5	370	0.15	-	6200	40	1.0	400	0.11	220	6200	36
BVF 44 + BW 75_1200	1200	1.2	370	0.12	-	6200	37	0.75	400	0.10	220	6200	31
BVF 44 + BW 75_1500	1500	0.93	370	0.10	220	6200	37	0.60	400	0.09	220	6200	29
BVF 44 + BW 75_2100	2100	0.67	370	0.09	220	6200	30	0.43	400	0.07	220	6200	24
BVF 44 + BW 75_2800	2800	0.50	370	0.07	220	6200	26	0.32	400	0.06	220	6200	22



WORM GEAR BOXES

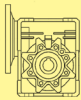
BW 75 + BC

420 Nm

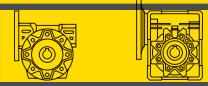
	i	n ₂	M _{n2}	P _{n1}	R _{n1}	R _{n2}	η _d	n ₂	M _{n2}	P _{n1}	R _{n1}	R _{n2}	η _d
		(rpm)	(Nm)	(KW)	(N)	(N)	(%)	(rpm)	(Nm)	(KW)	(N)	(N)	(%)
		n₁=2800 rpm						n₁=1400 rpm					
BW 75 + BC_21	21	133.3	205	3.3	500	2030	88	67	225	1.8	500	3060	86
BW 75 + BC_29	29	96.6	250	2.9	500	2640	86	48.3	275	1.7	500	3610	84
BW 75 + BC_44	44	63.6	270	2.2	500	3380	83	31.8	295	1.2	500	4530	80
BW 75 + BC_59	59	47.5	270	1.7	500	3980	80	23.7	295	1	500	5280	77
BW 75 + BC_74	74	37.8	270	1.4	500	4480	77	18.9	295	0.8	500	5890	73
BW 75 + BC_88	88	31.8	290	1.3	500	4780	74	15.9	320	0.8	500	6200	69
BW 75 + BC_118	118	23.7	275	1	500	5540	68	11.9	305	0.6	500	6200	63
BW 75 + BC_147	147	19	235	0.7	500	6200	63	9.5	260	0.4	500	6200	58
BW 75 + BC_176	176	15.9	215	0.6	500	6200	60	8	235	0.4	500	6200	55
BW 75 + BC_235	235	11.9	195	0.4	500	6200	54	6	215	0.3	500	6200	49
BW 75 + BC_294	294	9.5	160	0.3	500	6200	50	4.8	180	0.2	500	6200	44
		n₁=900 rpm						n₁=500 rpm					
BW 75 + BC_21	21	42.9	245	1.3	500	3660	85	23.8	270	0.8	500	4660	82
BW 75 + BC_29	29	31	330	1.3	500	4070	82	17.2	370	0.8	500	5160	80
BW 75 + BC_44	44	20.5	350	1	500	5180	78	11.4	400	0.6	500	6200	75
BW 75 + BC_59	59	15.3	330	0.7	500	6180	75	8.5	370	0.5	500	6200	71
BW 75 + BC_74	74	12.2	330	0.6	500	6200	70	6.8	350	0.4	500	6200	66
BW 75 + BC_88	88	10.2	370	0.6	500	6200	67	5.7	420	0.4	500	6200	63
BW 75 + BC_118	118	7.6	330	0.4	500	6200	60	4.2	380	0.3	500	6200	56
BW 75 + BC_147	147	6.1	310	0.4	500	6200	55	3.4	350	0.2	500	6200	51
BW 75 + BC_176	176	5.1	280	0.3	500	6200	51	2.8	320	0.2	500	6200	47
BW 75 + BC_235	235	3.8	220	0.2	500	6200	45	2.1	280	0.2	500	6200	41
BW 75 + BC_294	294	3.1	200	0.2	500	6200	41	1.7	260	0.1	500	6200	37

BW 86

440 Nm

	i	n ₂	M _{n2}	P _{n1}	R _{n1}	R _{n2}	η _d	n ₂	M _{n2}	P _{n1}	R _{n1}	R _{n2}	η _d
		(rpm)	(Nm)	(KW)	(N)	(N)	(%)	(rpm)	(Nm)	(KW)	(N)	(N)	(%)
		n₁=2800 rpm						n₁=1400 rpm					
BW 86_7	7	400	225	10.4	850	2930	91	200	250	5.9	850	3920	89
BW 86_10	10	280	260	8.5	850	3490	90	140	290	4.8	850	4620	88
BW 86_15	15	187	295	6.6	850	4200	87	93	330	3.8	850	5510	85
BW 86_20	20	140	285	4.9	850	4900	86	70	320	2.8	850	6380	84
BW 86_23	23	122	285	4.3	850	5250	85	61	320	2.5	850	6800	82
BW 86_30	30	93	320	3.9	850	5740	81	47	370	2.4	850	7000	76
BW 86_40	40	70	295	2.7	850	6670	79	35	330	1.6	850	7000	75
BW 86_46	46	61	305	2.5	850	7000	77	30	340	1.5	850	7000	73
BW 86_56	56	50	265	1.8	850	7000	75	25	300	1.1	850	7000	70
BW 86_64	64	44	250	1.6	850	7000	73	21.9	280	0.94	850	7000	68
BW 86_80	80	35	225	1.2	850	7000	69	17.5	255	0.73	850	7000	64
BW 86_100	100	28	205	0.92	850	7000	65	14	230	0.57	850	7000	59
		n₁=900 rpm						n₁=500 rpm					
BW 86_7	7	129	270	4.1	850	4670	88	71	295	2.6	850	5890	85
BW 86_10	10	90	310	3.4	850	5500	86	50	345	2.2	850	6860	82
BW 86_15	15	60	355	2.7	850	6520	82	33	390	1.7	850	7000	78
BW 86_20	20	45	345	2	850	7000	81	25	380	1.3	850	7000	77
BW 86_23	23	39	345	1.8	850	7000	80	21.7	380	1.2	850	7000	75
BW 86_30	30	30	400	1.7	850	7000	73	16.7	440	1.1	850	7000	67
BW 86_40	40	22.5	355	1.2	850	7000	71	12.5	390	0.77	850	7000	66
BW 86_46	46	19.6	365	1.1	850	7000	69	10.9	405	0.73	850	7000	63
BW 86_56	56	16.1	325	0.83	850	7000	66	8.9	355	0.55	850	7000	60
BW 86_64	64	14.1	300	0.7	850	7000	63	7.8	330	0.47	850	7000	58
BW 86_80	80	11.3	275	0.55	850	7000	59	6.3	305	0.38	850	7000	53





BW 86 + BC

550 Nm

	i	n ₂ (rpm)	M _{n2} (Nm)	P _{n1} (KW)	R _{n1} (N)	R _{n2} (N)	η _d (%)	n ₂ (rpm)	M _{n2} (Nm)	P _{n1} (KW)	R _{n1} (N)	R _{n2} (N)	η _d (%)
		n ₁ =2800 rpm						n ₁ =1400 rpm					
BW 86 + BC_21	21	133.3	270	4.3	500	4590	88	66.7	295	2.4	500	6070	85
BW 86 + BC_29	29	96.6	310	3.6	500	5410	86	48.3	345	2.1	500	7000	82
BW 86 + BC_44	44	63.6	355	2.9	500	6420	82	31.8	390	1.7	500	7000	78
BW 86 + BC_59	59	47.5	345	2.1	500	7000	81	23.7	380	1.2	500	7000	77
BW 86 + BC_68	68	41.2	345	1.9	500	7000	80	20.6	380	1.1	500	7000	75
BW 86 + BC_88	88	31.8	400	1.8	500	7000	73	15.9	440	1.1	500	7000	67
BW 86 + BC_118	118	23.7	355	1.2	500	7000	71	11.9	390	0.7	500	7000	66
BW 86 + BC_135	135	20.7	365	1.1	500	7000	69	10.4	405	0.7	500	7000	63
BW 86 + BC_165	165	17	325	0.9	500	7000	66	8.5	355	0.5	500	7000	60
BW 86 + BC_188	188	14.9	300	0.7	500	7000	63	7.4	330	0.4	500	7000	58
BW 86 + BC_235	235	11.9	275	0.6	500	7000	59	6	305	0.4	500	7000	53
BW 86 + BC_294	294	9.5	250	0.5	500	7000	55	4.8	275	0.3	500	7000	49
n ₁ =900 rpm						n ₁ =500 rpm							
BW 86 + BC_21	21	42.9	325	1.8	500	7000	83	23.8	355	1.1	500	7000	81
BW 86 + BC_29	29	31	375	1.5	500	7000	81	17.2	415	1	500	7000	78
BW 86 + BC_44	44	20.5	450	1.3	500	7000	76	11.4	500	0.8	500	7000	73
BW 86 + BC_59	59	15.3	430	0.9	500	7000	75	8.5	440	0.5	500	7000	72
BW 86 + BC_68	68	13.2	390	0.7	500	7000	73	7.4	400	0.4	500	7000	70
BW 86 + BC_88	88	10.2	500	0.8	500	7000	64	5.7	550	0.5	500	7000	60
BW 86 + BC_118	118	7.6	440	0.6	500	7000	63	4.2	470	0.4	500	7000	59
BW 86 + BC_135	135	6.7	430	0.5	500	7000	61	3.7	440	0.3	500	7000	56
BW 86 + BC_165	165	5.5	390	0.4	500	7000	57	3	410	0.2	500	7000	53
BW 86 + BC_188	188	4.8	390	0.4	500	7000	55	2.7	410	0.2	500	7000	50
BW 86 + BC_235	235	3.8	310	0.2	500	7000	50	2.1	320	0.2	500	7000	46
BW 86 + BC_294	294	3.1	310	0.2	500	7000	45	1.7	320	0.1	500	7000	41

BVF 44 + BW 86

550 Nm

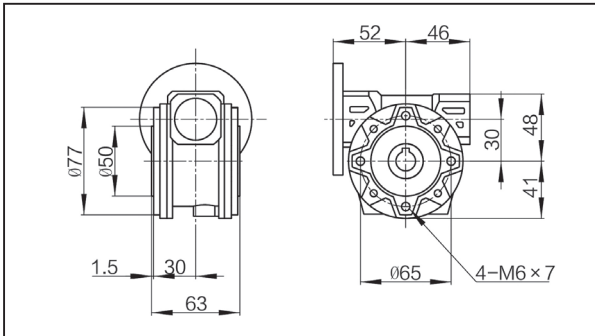
	i	n ₂ (rpm)	M _{n2} (Nm)	P _{n1} (KW)	R _{n1} (N)	R _{n2} (N)	η _d (%)	n ₂ (rpm)	M _{n2} (Nm)	P _{n1} (KW)	R _{n1} (N)	R _{n2} (N)	η _d (%)
		n ₁ =1400 rpm						n ₁ =900 rpm					
BVF 44 + BW 86_230	230	6.1	500	0.59	220	7000	54	3.9	550	0.43	220	7000	53
BVF 44 + BW 86_300	300	4.7	500	0.54	220	7000	45	3	550	0.41	220	7000	42
BVF 44 + BW 86_400	400	3.5	500	0.45	220	7000	41	2.3	550	0.32	220	7000	41
BVF 44 + BW 86_525	525	2.7	500	0.33	220	7000	42	1.7	550	0.25	220	7000	39
BVF 44 + BW 86_700	700	2.0	500	0.27	220	7000	39	1.3	550	0.2	220	7000	37
BVF 44 + BW 86_920	920	1.5	500	0.20	220	7000	40	1	550	0.15	-	7000	37
BVF 44 + BW 86_1380	1380	1.0	500	0.17	220	7000	32	0.65	550	0.13	-	7000	28
BVF 44 + BW 86_1840	1840	0.76	500	0.13	220	7000	30	0.49	550	0.1	-	7000	28
BVF 44 + BW 86_2116	2116	0.66	500	0.12	220	7000	28	0.43	550	0.09	220	7000	28
BVF 44 + BW 86_2760	2760	0.51	500	0.11	-	7000	24	0.33	550	0.08	220	7000	24



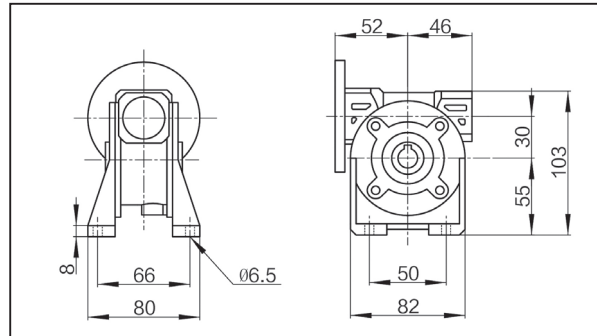
WORM GEAR BOXES

BVF 30 DIMENSION SHEET

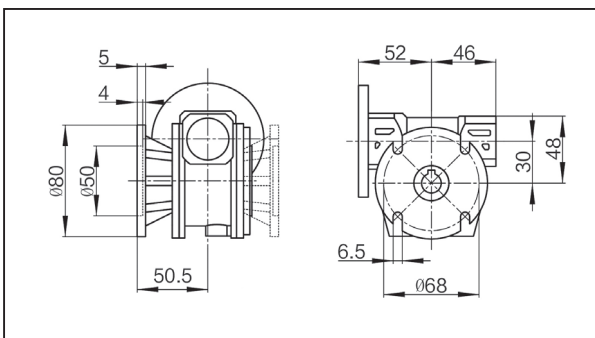
BVF 30



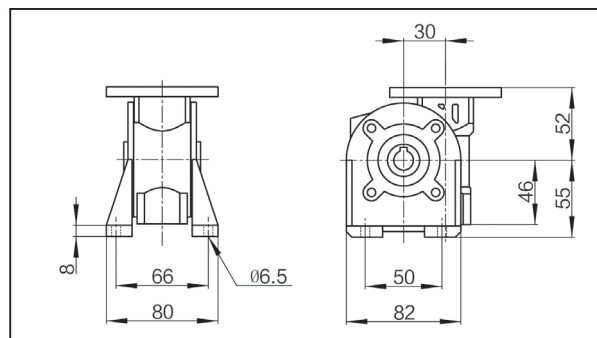
BVF 30-H



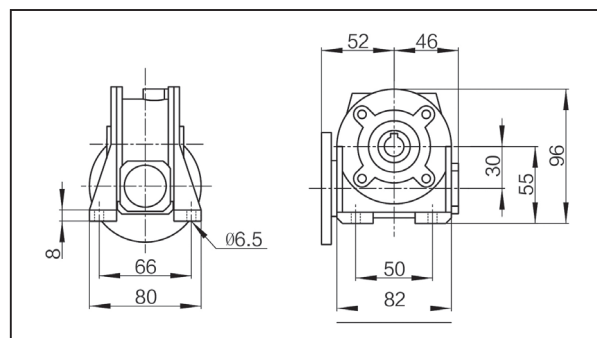
BVF 30-F



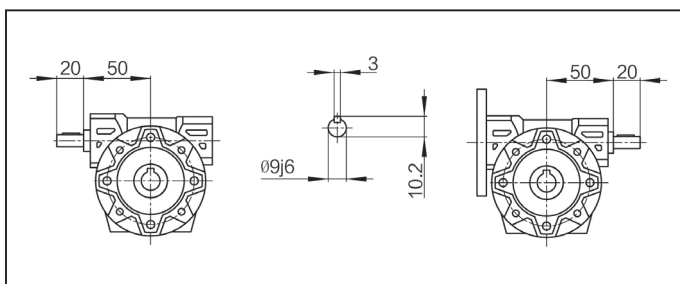
BVF 30-HA



BVF 30 -HB

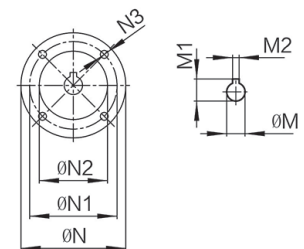


BVF 30-IS



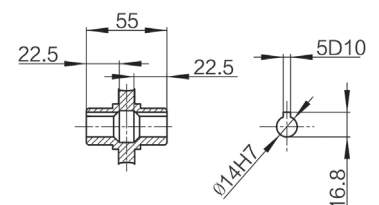
BVF 30-ES

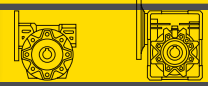
INPUT



		M	M1	M2	N	N1	N2	N3
BVF 30	P56 B5	9	10.4	3	120	100	80	7
	P56 B14	9	10.4	3	80	65	50	5.5
	P63 B5	11	12.8	4	140	115	95	9.5
	P63 B14	11	12.8	4	90	75	60	9.5

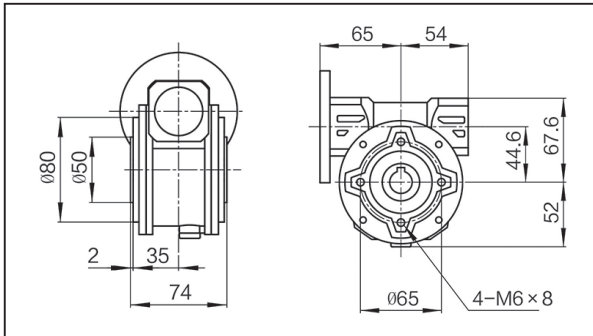
OUTPUT



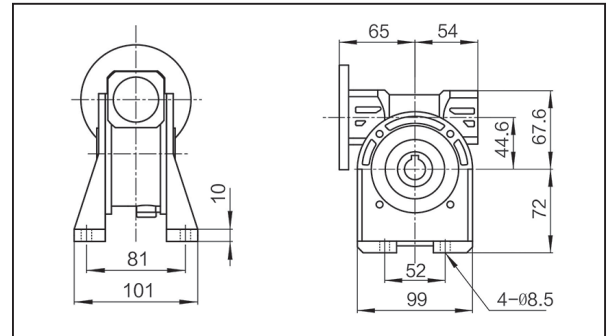


BVF 44 DIMENSION SHEET

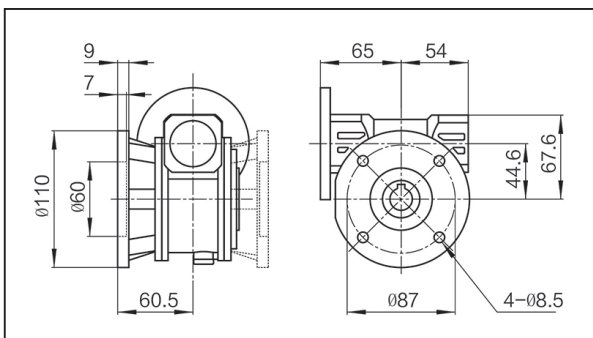
BVF 44



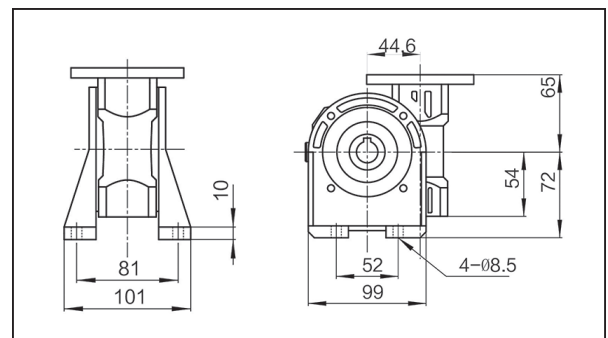
BVF 44-H



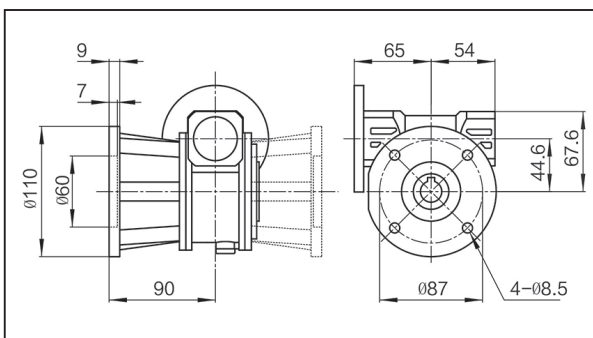
BVF 44-F



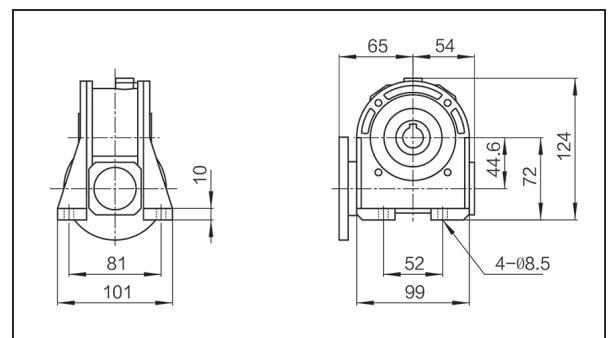
BVF 44-HA



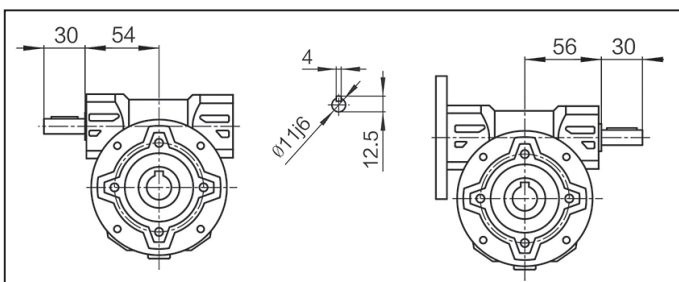
BVF 44-FL



BVF 44-HB

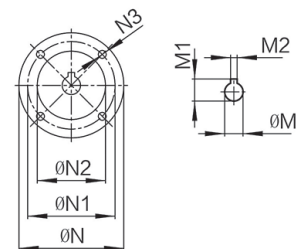


BVF 44-IS



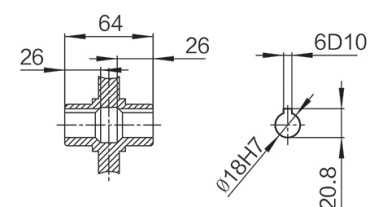
BVF 44-ES

INPUT



		M	M1	M2	N	N1	N2	N3
BVF 44	P63 B5	11	12.8	4	140	115	95	9.5
	P63 B14	11	12.8	4	90	75	60	5.5
	P71 B5	14	16.3	5	160	130	110	9.5
	P71 B14	14	16.3	5	105	85	70	7

OUTPUT

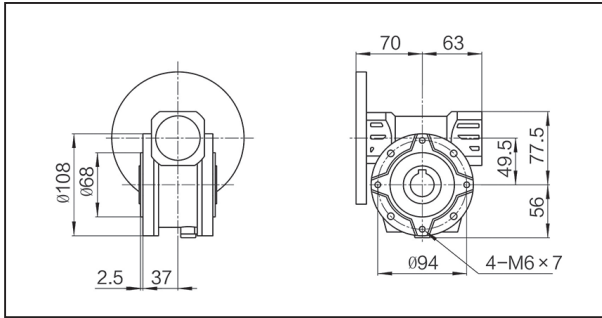




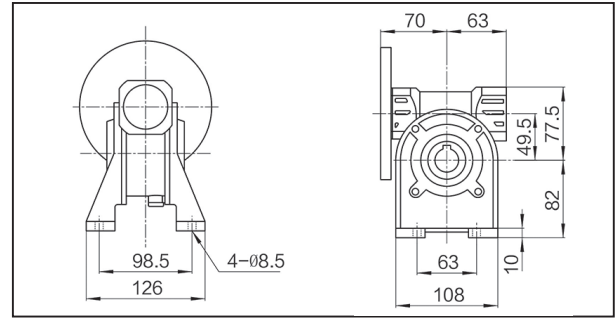
WORM GEAR BOXES

BVF 49 DIMENSION SHEET

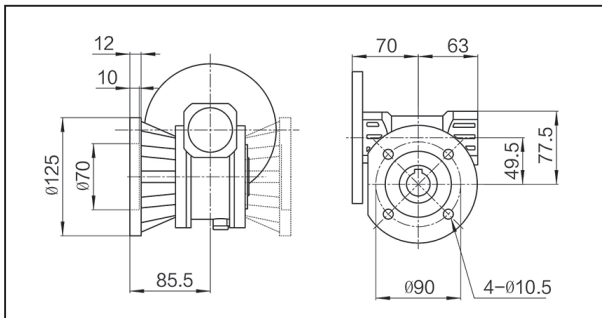
BVF 49



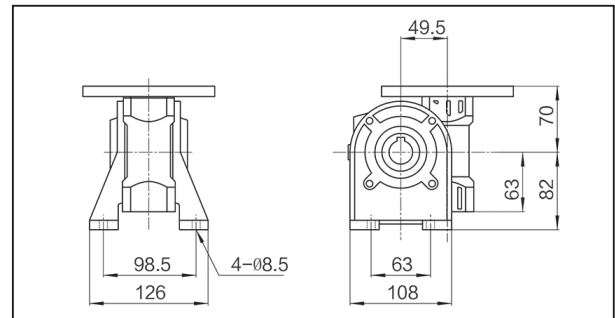
BVF 49-H



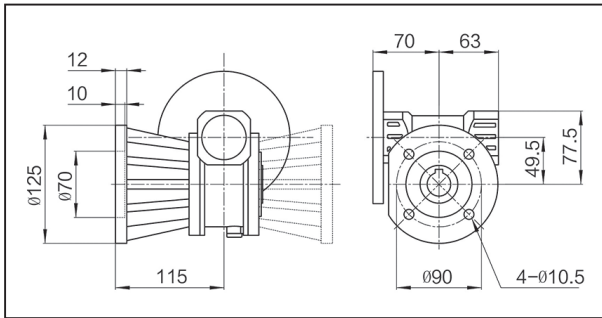
BVF 49-F



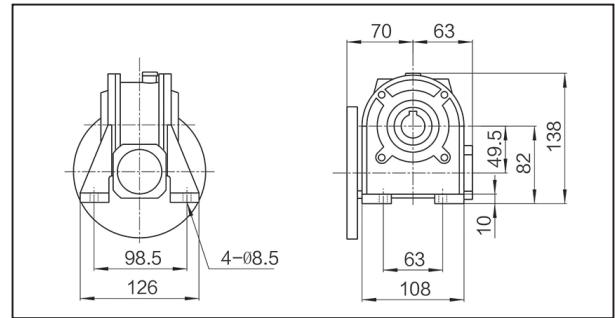
BVF 49-HA



BVF 49-FL

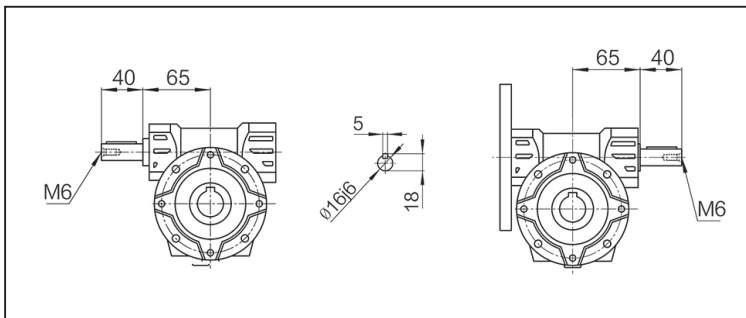


BVF 49-HB

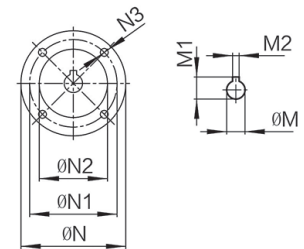


BVF 44-IS

BVF 44-ES

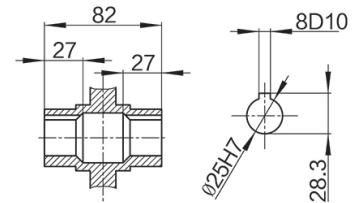


INPUT



		M	M1	M2	N	N1	N2	N3
BVF 49	P63 B5	11	12.8	4	140	115	95	9.5
	P63 B14	11	12.8	4	90	75	60	6
	P71 B5	14	16.3	5	160	130	110	9.5
	P71 B14	14	16.3	5	105	85	70	6.5
	P80 B5	19	21.8	6	200	165	130	11.5
	P80 B14	19	21.8	6	120	100	80	7

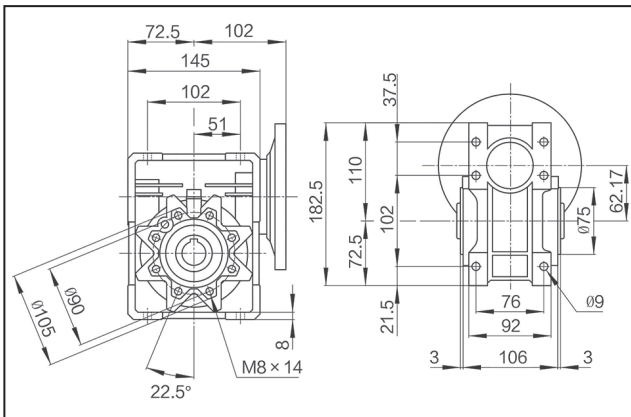
OUTPUT



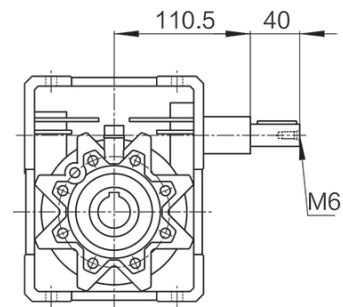


BW 63 DIMENSION SHEET

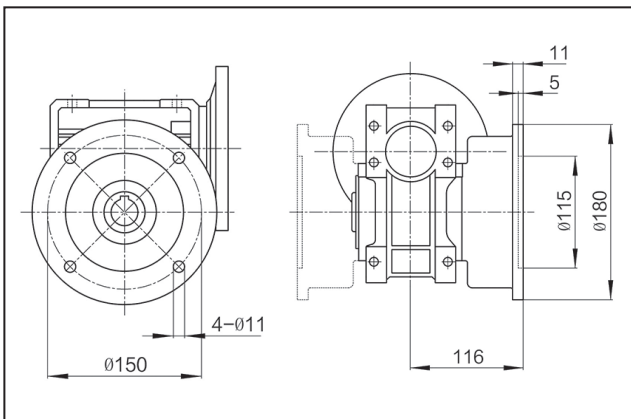
BW 63



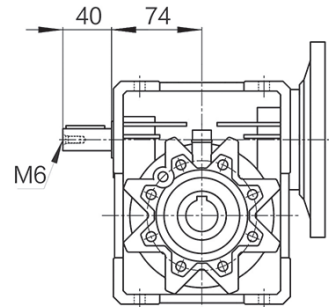
BW 63-IS



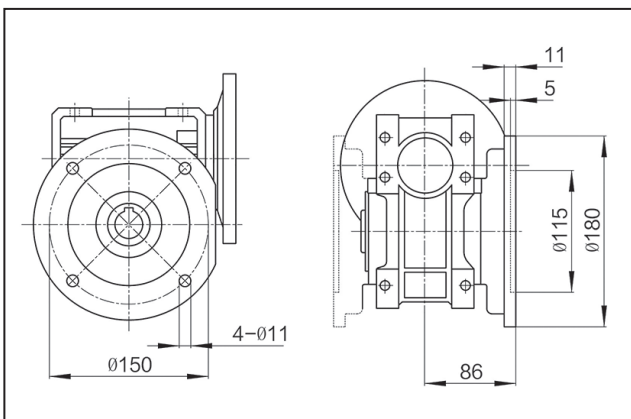
BW 63-F



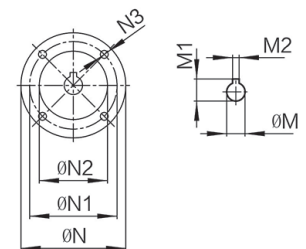
BW 63-ES



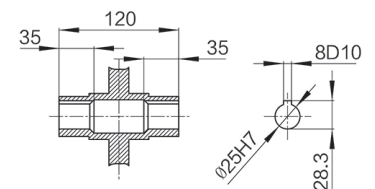
BW 63-FB



INPUT



OUTPUT



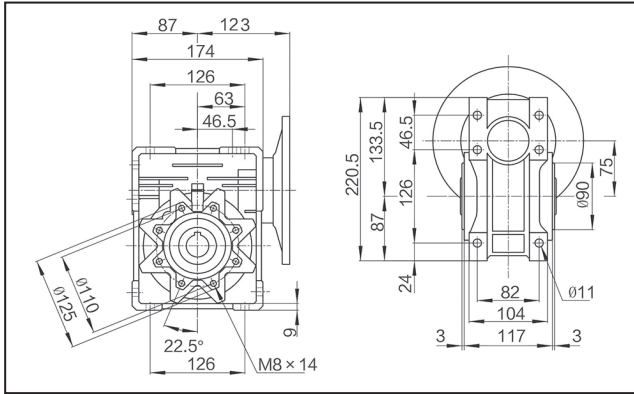
		M	M1	M2	N	N1	N2	N3
BW 63	P71 B5	14	16.3	5	160	130	110	11
	P71 B14	14	16.3	5	105	85	70	11
	P80 B5	19	21.8	6	200	165	130	12
	P80 B14	19	21.8	6	120	100	80	11
	P90 B5	24	27.3	8	200	165	130	12
	P90 B14	24	27.3	8	140	115	95	11



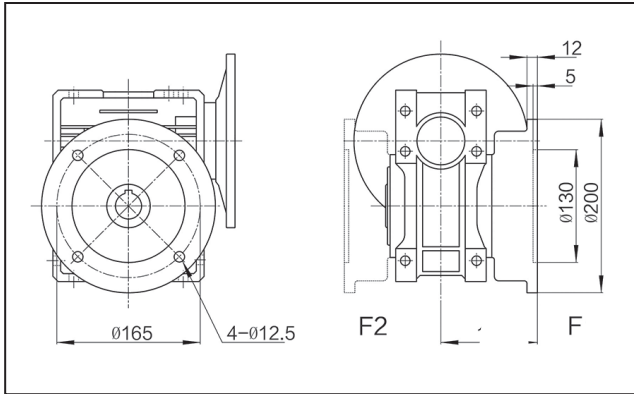
WORM GEAR BOXES

BW 75 DIMENSION SHEET

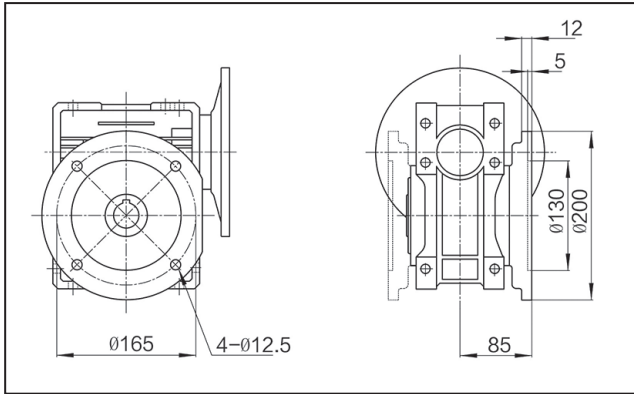
BW 75



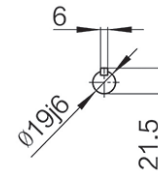
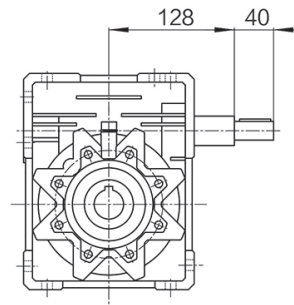
BW 75-F



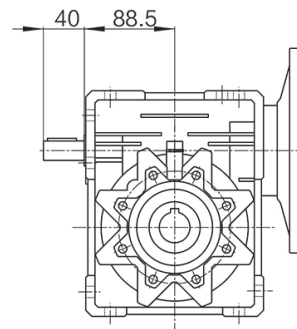
BW 75-FB



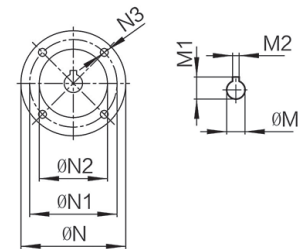
BW 75-IS



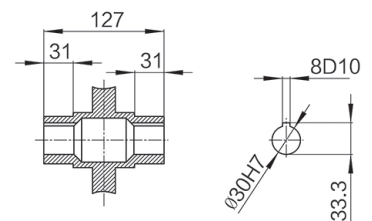
BW 75-ES



INPUT



OUTPUT

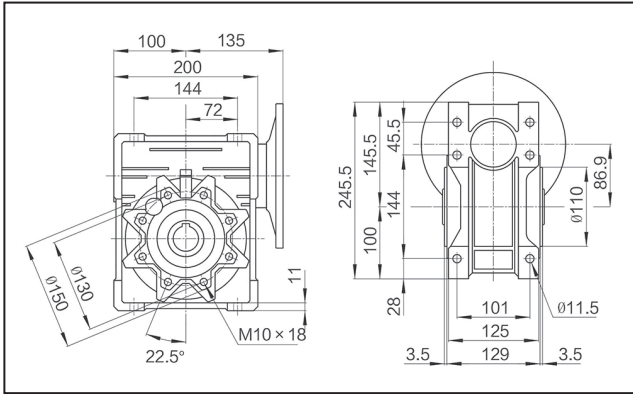


		M	M1	M2	N	N1	N2	N3
BW 75	P71 B5	14	16.3	5	160	130	110	9
	P80 B5	19	21.8	6	200	165	130	11.5
	P80 B14	19	21.8	6	120	100	80	6.5
	P90 B5	24	27.3	8	200	165	130	11.5
	P90 B14	24	27.3	8	140	115	95	8.5
	P100 B5	28	31.3	8	250	215	180	12.5
	P100 B14	28	31.3	8	160	130	110	8.5
	P112 B5	28	31.3	8	250	215	180	12.5
P112 B14	28	31.3	8	160	130	110	8.5	

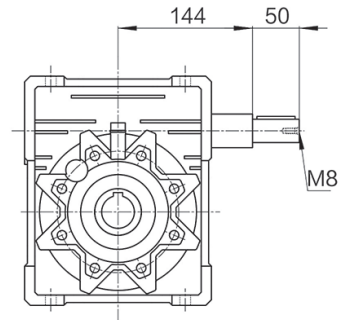


BW 86 DIMENSION SHEET

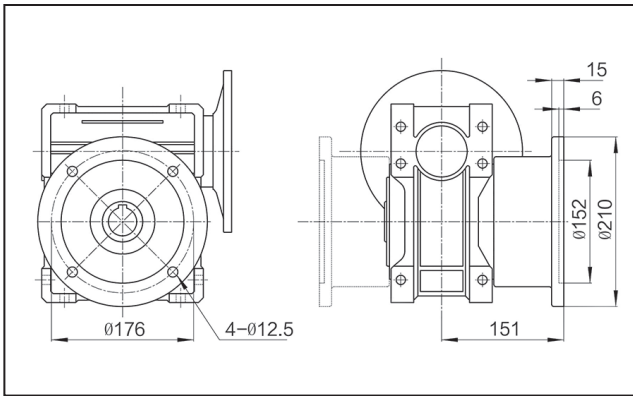
BW 86



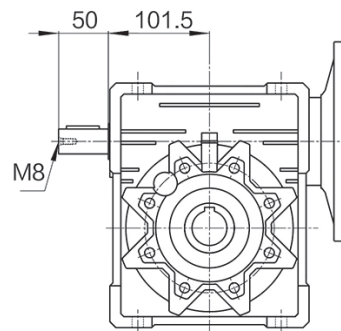
BW 86-IS



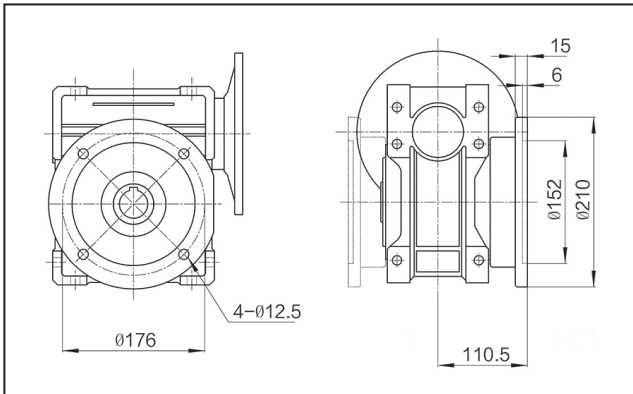
BW 86-F



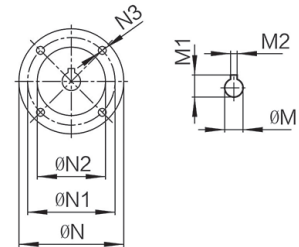
BW 86-ES



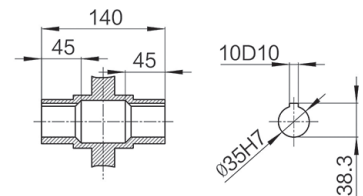
BW 86-FB



INPUT



OUTPUT



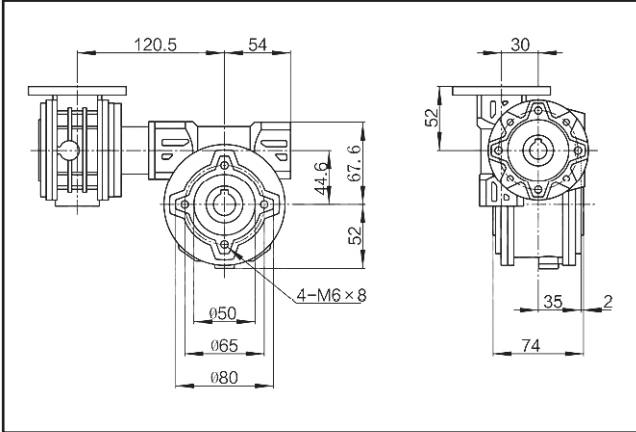
		M	M1	M2	N	N1	N2	N3
BW 86	P71 B5	14	16.3	5	160	130	110	11
	P80 B5	19	21.8	6	200	165	130	12
	P80 B14	19	21.8	6	120	100	80	7.5
	P90 B5	24	27.3	8	200	165	130	12
	P90 B14	24	27.3	8	140	115	95	7.5
	P100 B5	28	31.3	8	250	215	180	13
	P100 B14	28	31.3	8	160	130	110	10
	P112 B5	28	31.3	8	250	215	180	13
	P112 B14	28	31.3	8	160	130	110	10



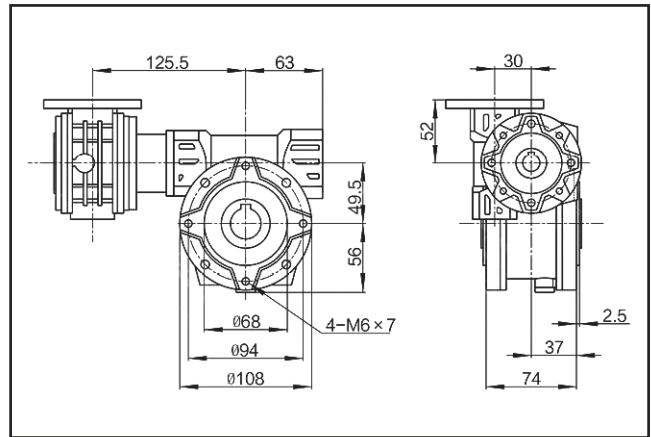
WORM GEAR BOXES

DOUBLE STAGE DIMENSION SHEET

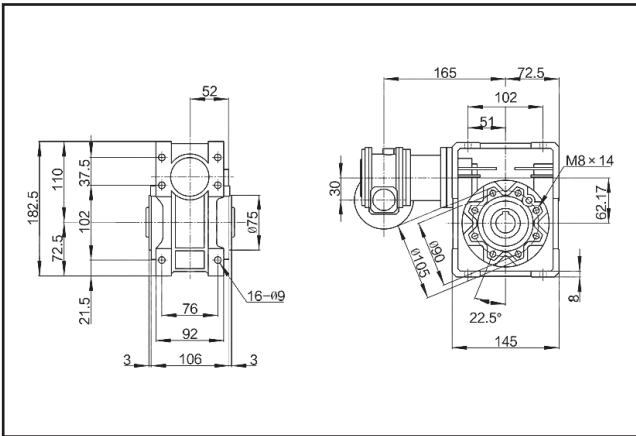
BVF 30 + BVF 44



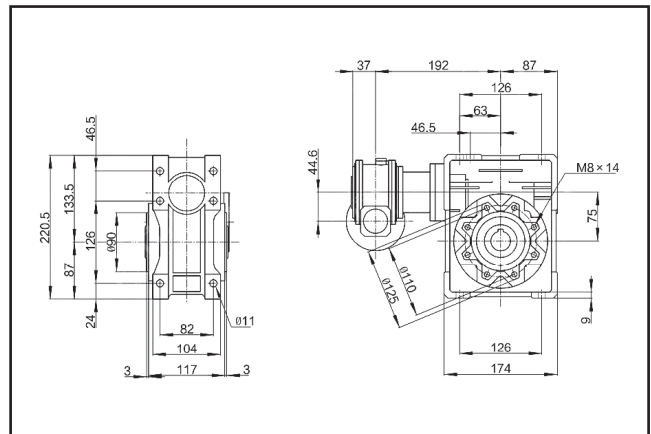
BVF 30 + BVF 49



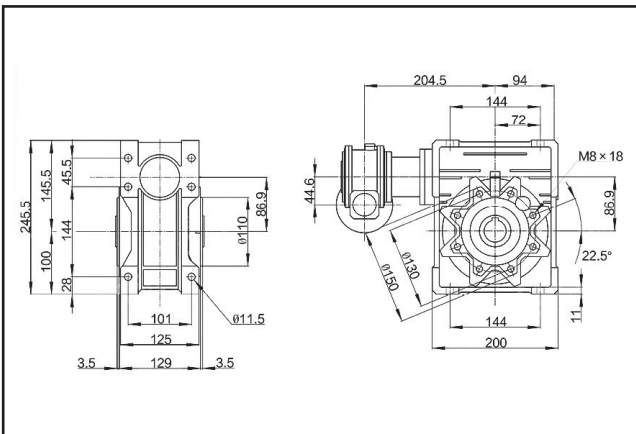
BVF 30 + BW 63



BVF 44 + BW 75



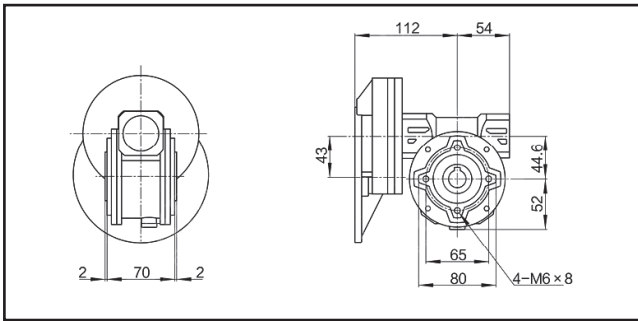
BVF 44 + BW 86



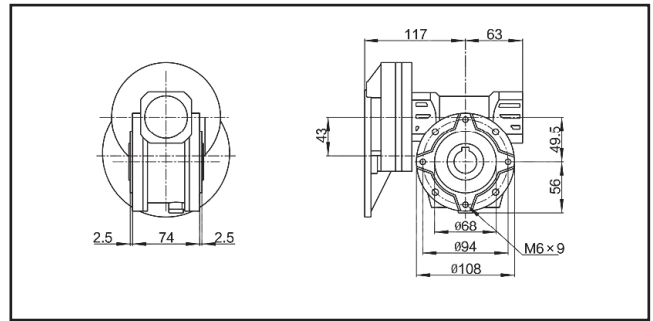


HELI-WORM DIMENSION SHEET

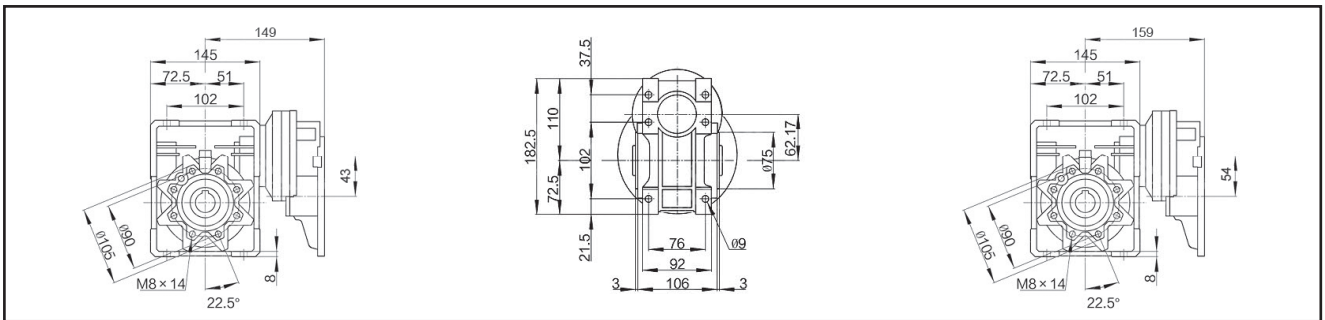
BVF 44 + BC 63



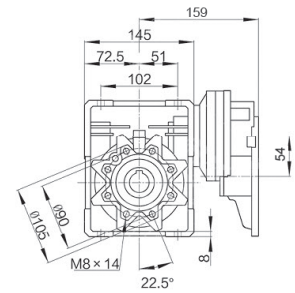
BVF 49 + BC 63



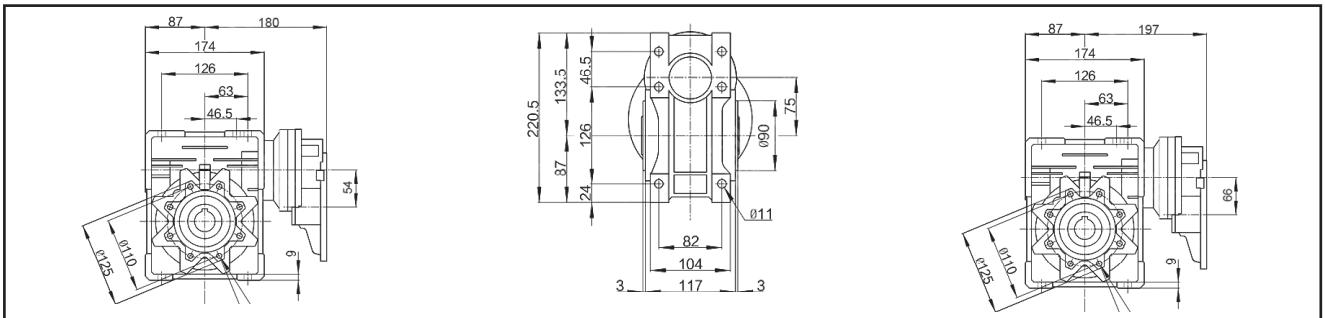
BW 63 + BC 63



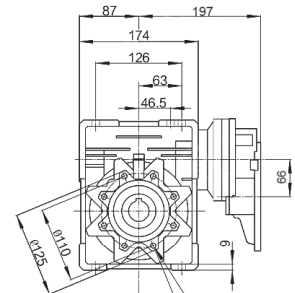
BW 63 + BC 71



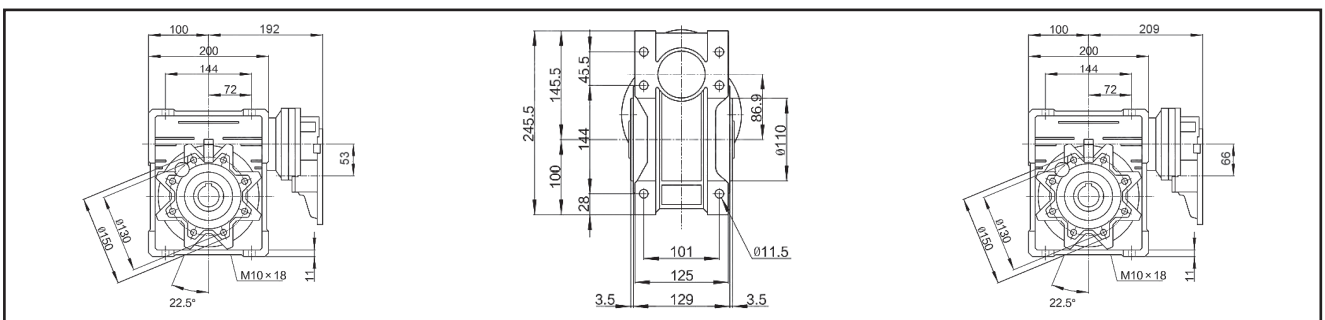
BW 75 + BC 71



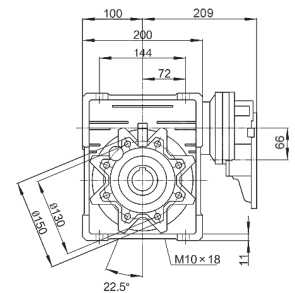
BW 75 + BC 80/90



BW 86 + BC 71

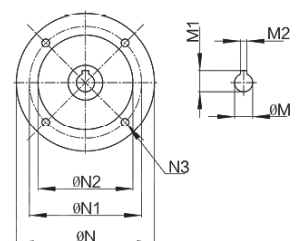


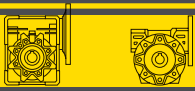
BW 86 + BC 80/90



	M	M1	M2	N	N1	N2	N3
BC 63	11	12.8	4	140	115	95	8.5
BC 71	14	16.3	5	160	130	110	8.5
BC 80	19	21.8	6	200	165	130	11
BC 90	24	27.3	8	200	165	130	11

INPUT

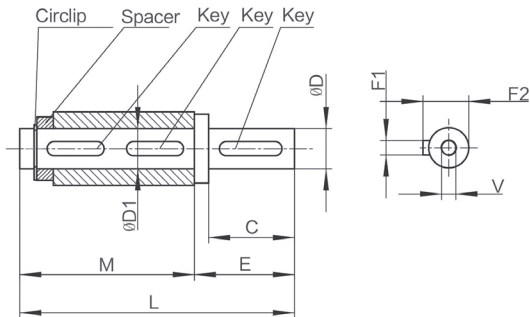




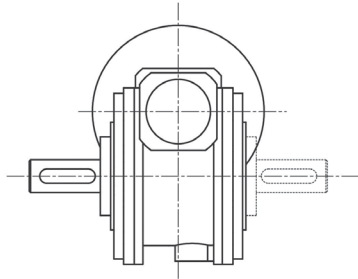
ACCESSORIES DIMENSION

OUTPUT SHAFT

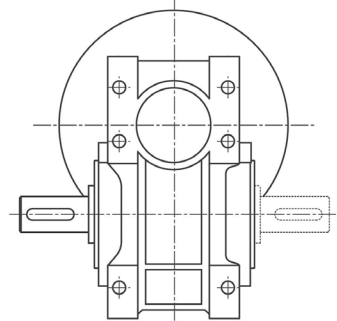
SINGLE OUTPUT SHAFT



BVF...DZ

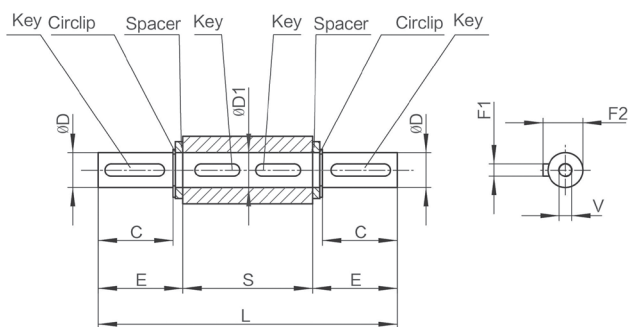


BW...DZ

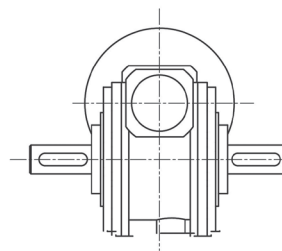


SIZE	C	D	D1	E	F1	F2	M	L	V
BVF 30	30	14	14	35	5	16	61	96	M5×13
BVF 44	40	18	18	45	6	20.5	70	115	M6×16
BVF 49	60	25	25	65	8	28	89	154	M8×20
BW 63	60	25	25	65	8	28	127	192	M8×20
BW 75	60	30	30	65	8	33	134	199	M10×22
BW 86	60	35	35	65	10	38	149	214	M10×25

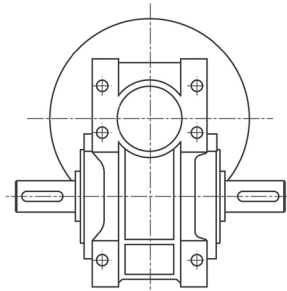
DOUBLE OUTPUT SHAFT



BVF...SZ



BW...SZ

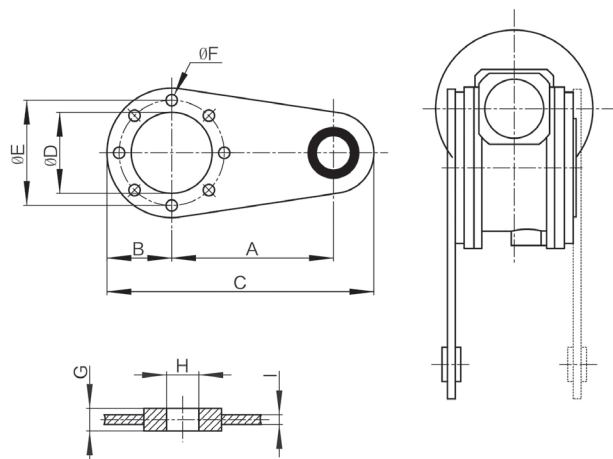


SIZE	C	D	D1	E	F1	F2	L	S	V
BVF 30	30	14	14	32.5	5	16	120	55	M5×13
BVF 44	40	18	18	42.7	6	20.5	149.4	64	M6×16
BVF 49	60	25	25	63.2	8	28	208.4	82	M8×20
BW 63	60	25	25	63.2	8	28	246.4	120	M8×20
BW 75	60	30	30	64	8	33	255	127	M10×22
BW 86	60	35	35	64	10	38	268	140	M10×25

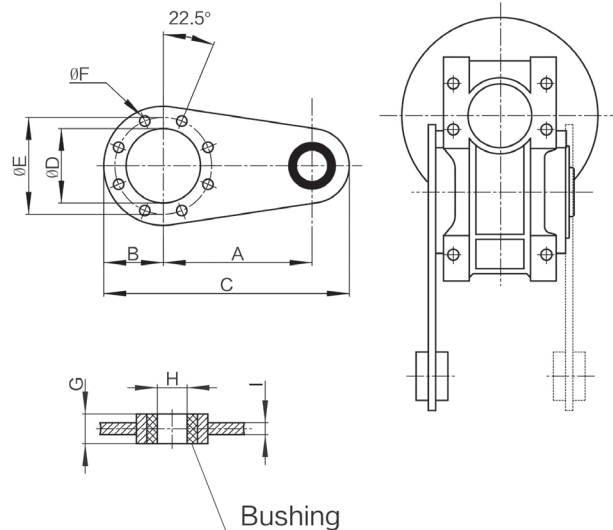


TORQUE ARM

BVF 30 ~ 49



BW 63 ~ 86



SIZE	A	B	C	D	E	F	G	H	I
BVF 30	100	40	157.5	50	65	7	14	8	4
BVF 44	100	40	157.5	50	65	7	14	8	4
BVF 49	100	55	172.5	68	94	7	14	8	4
BW 63	150	52.5	232.5	75	90	9	20	10	6
BW 75	200	62.5	300	90	110	9	25	20	6
BW 86	200	75	312.5	110	130	11	25	20	6

CORRESPONDENCE ADDRESS



CANADA

795 Lakeshore Dr, Suite-307
Dorval, Quebec
H9S 0A8
CANADA
Email : sales.canada@bonvario.com



GERMANY

Gablonzer Ring 29 / 4186
Kaufbeuren
Bayern - 87600
GERMANY
Email : sales.germany@bonvario.com



USA

4281 Express Lane
Suite N-4164
Sarasota, FLORIDA 34238
UNITED STATES OF AMERICA
Email : sales.usa@bonvario.com

BONVARIO

www.bonvario.com



ITALY

Via San Francesco d'Assisi N-22A
Torino - 10121
ITALY
Email: info@bonvario.com



INDIA

15/24, Main Mathura Road
Badarpur, Near NTPC gate
New Delhi – 110044
INDIA
Email: sales.india@bonvario.com
Tel.: 011-29949306

CHANNEL PARTNER: