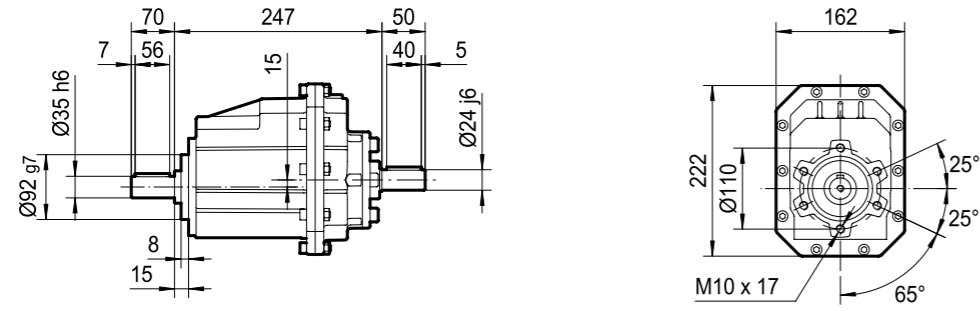




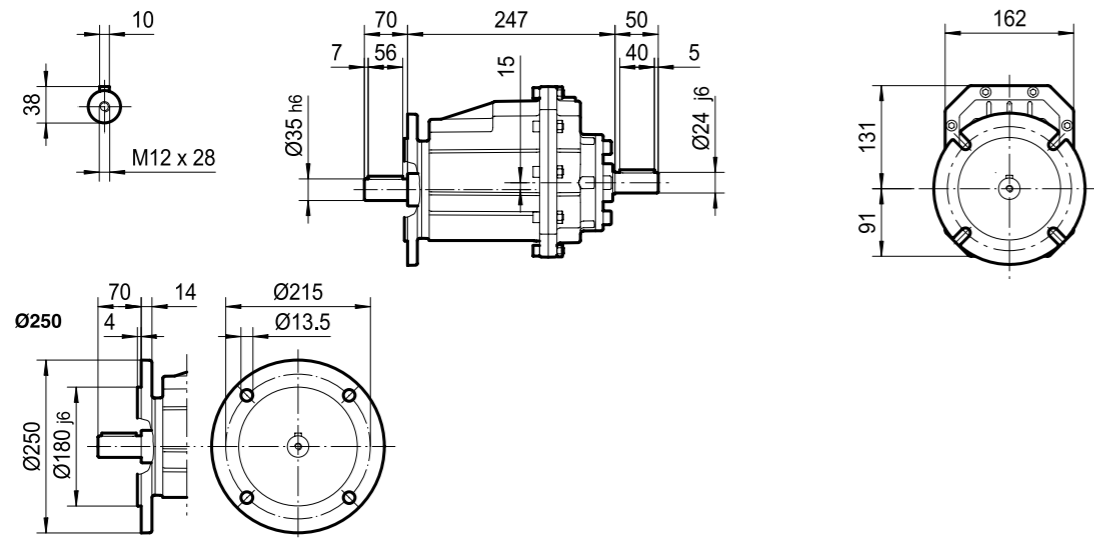
**DIMENSION SHEET**

**BON-IS 35 - U**

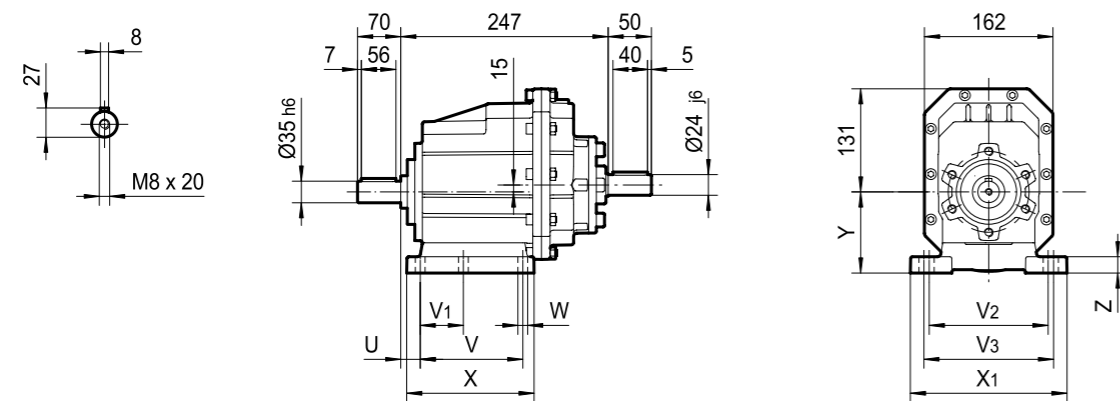


**BON-IS 35 - F**

(IEC)



**BON-IS 35 - H**



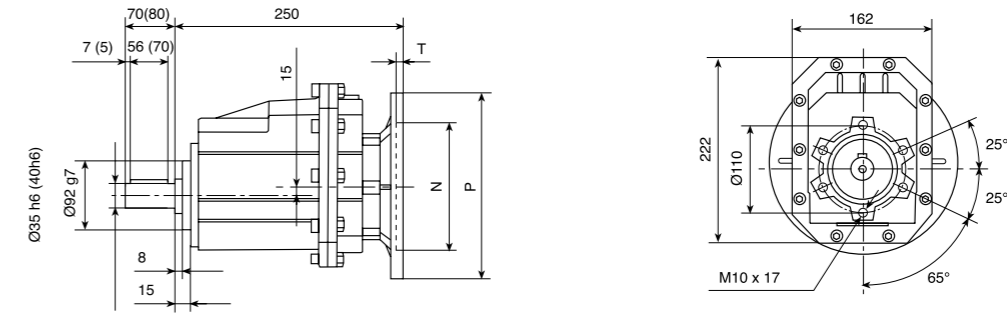
Feet	U	V	V <sub>1</sub>	V <sub>2</sub>	V <sub>3</sub>	W	X	X <sub>1</sub>	Y	Z
H 35	35	110	-	170	185	14	150	230	120	20



**DIMENSION SHEET**

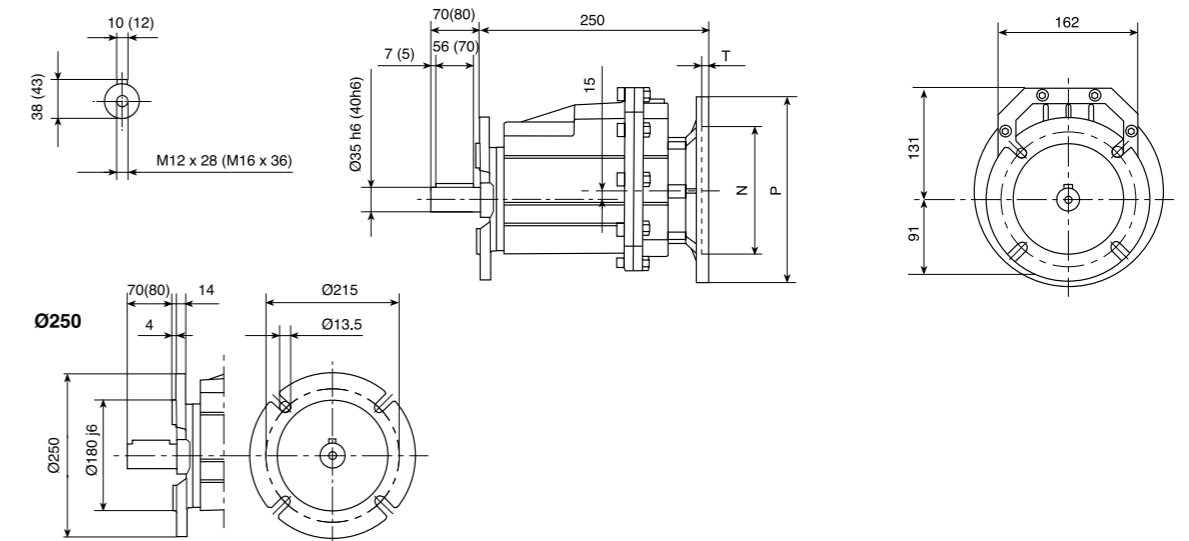
**BON 35 - U**

(IEC)



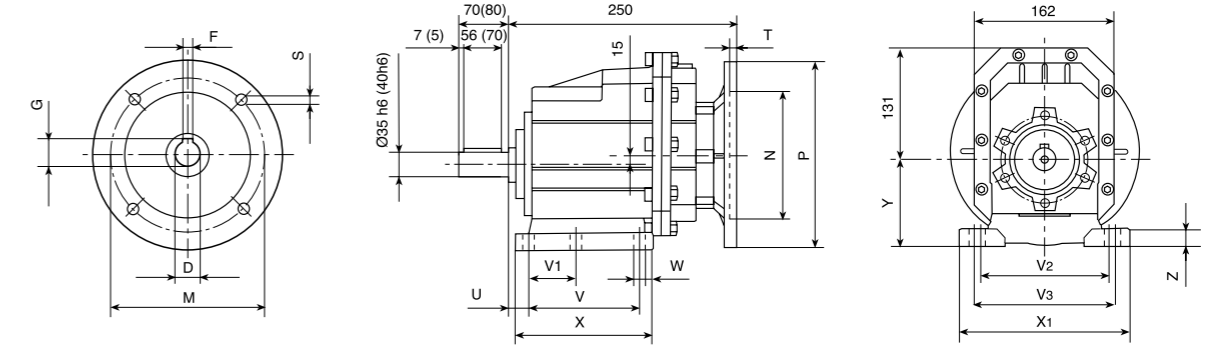
**BON 35 - F**

(IEC)



**BON 35 - P**

(IEC)



Feet	U	V	V <sub>1</sub>	V <sub>2</sub>	V <sub>3</sub>	W	X	X <sub>1</sub>	Y	Z
H 35	35	110	-	170	185	14	150	230	120	20

IEC	D	F	G	P	M	N	S	T
80B5	19	6	21.8	200	165	130	11	5
80B14	19	6	21.8	120	100	80	7	5
90B5	24	8	27.3	200	165	130	11	5
90B14	24	8	27.3	140	115	95	9	5
100/112B5	28	8	31.3	250	215	180	13.5	5
100/112B14	28	8	31.3	160	130	110	9	5

