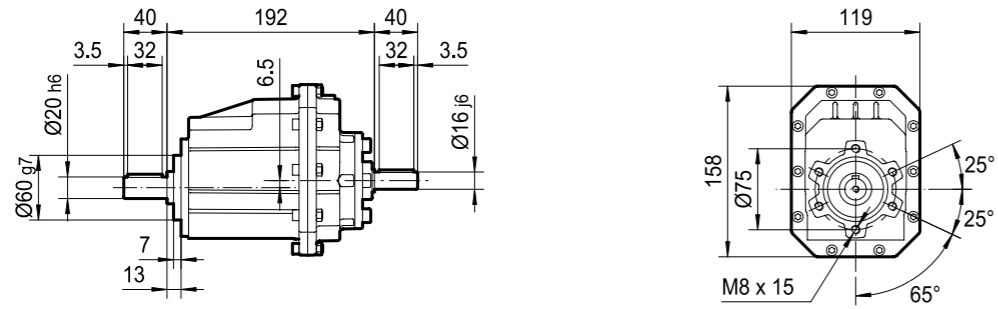


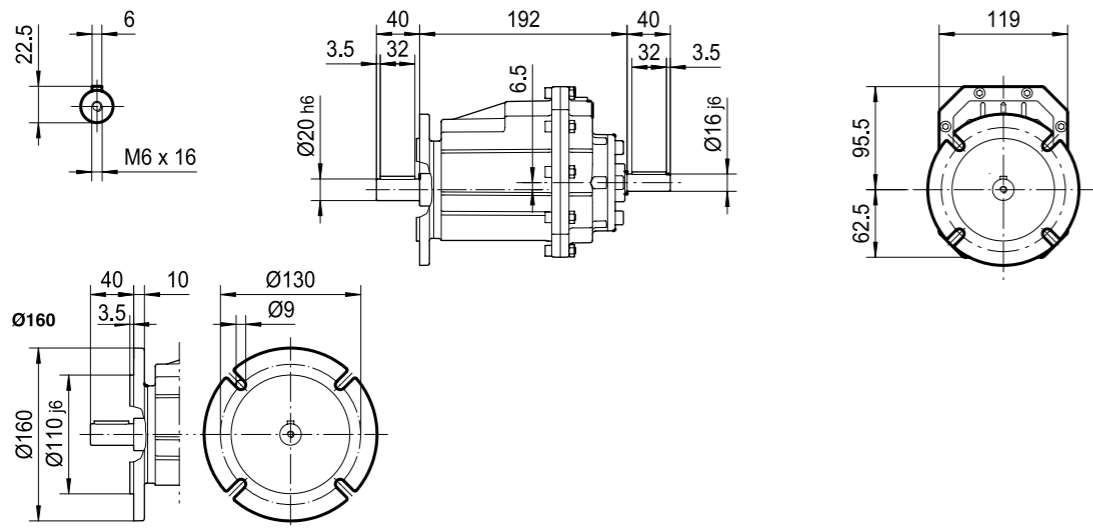
**DIMENSION SHEET**

**BON-IS 20 - U**

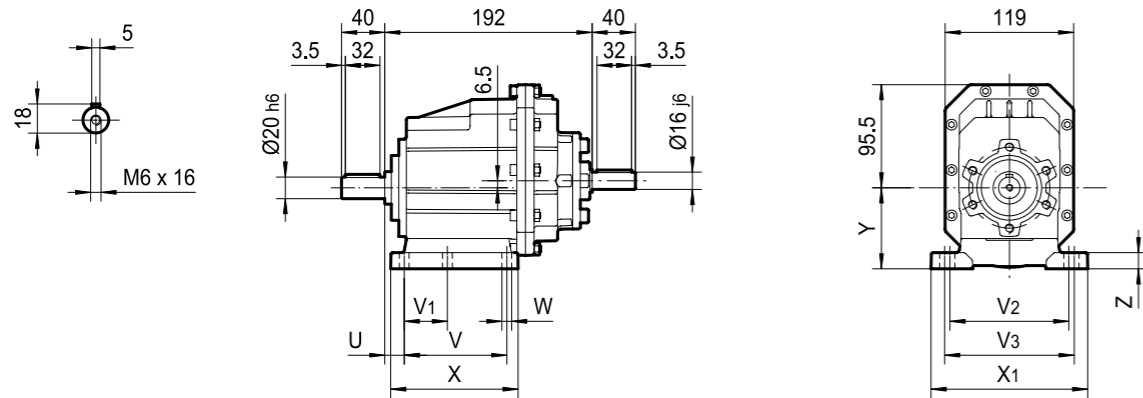


**BON-IS 20 - F**

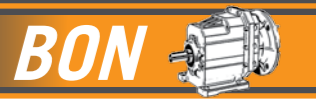
(IEC)



**BON-IS 20 - H**



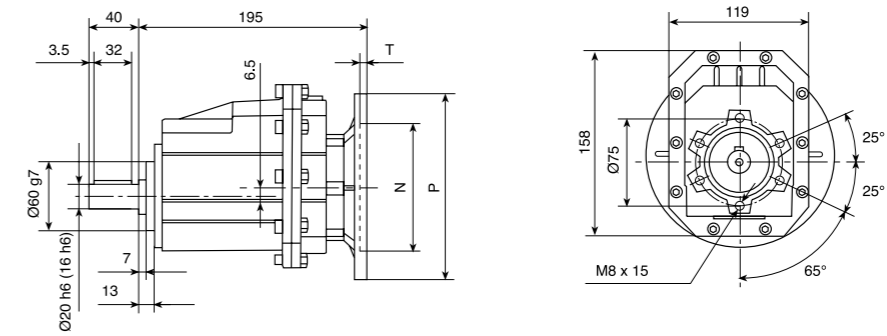
Feet	U	V	V <sub>1</sub>	V <sub>2</sub>	V <sub>3</sub>	W	X	X <sub>1</sub>	Y	Z
H 20	18	107.5	60	130	-	11	136	155	95	17



**DIMENSION SHEET**

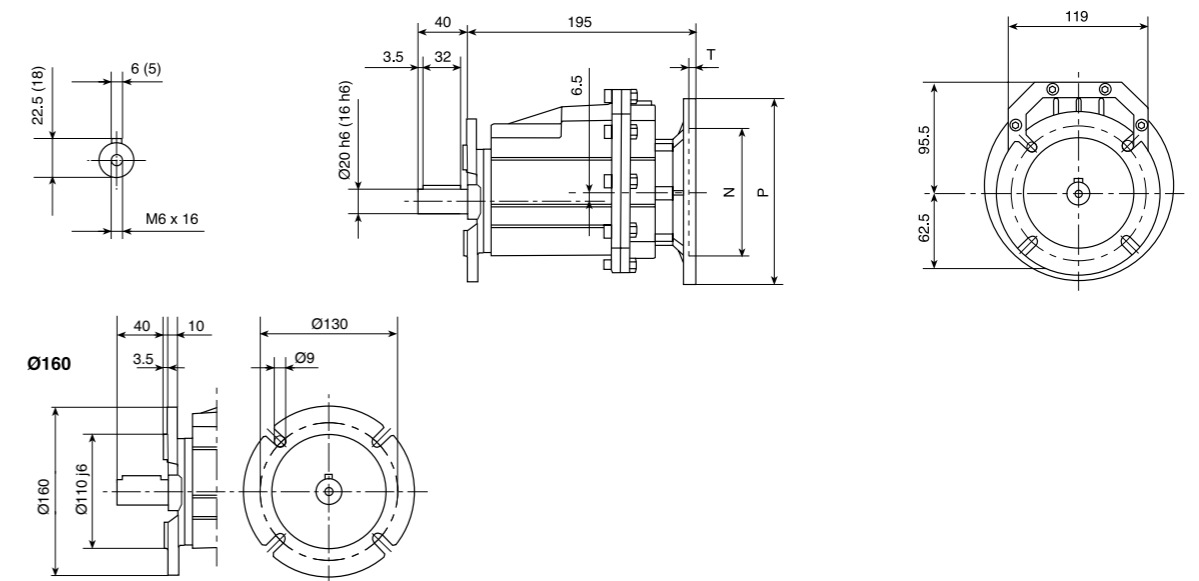
**BON 20 - U**

(IEC)



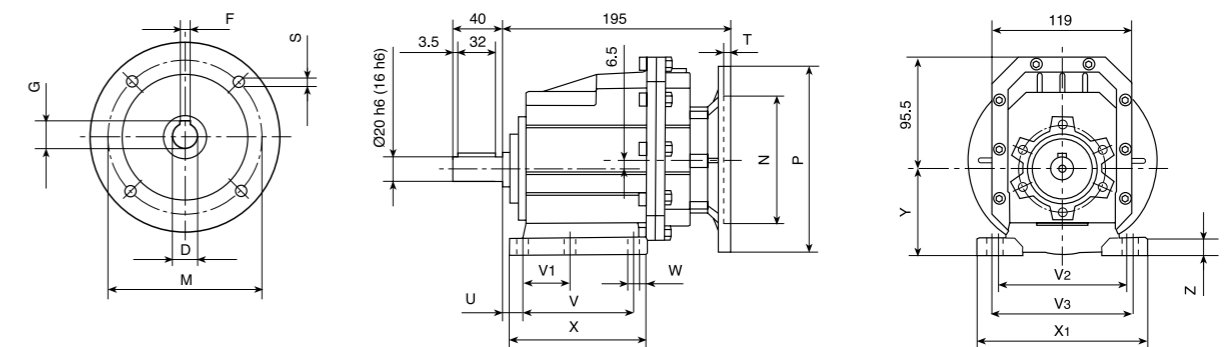
**BON 20 - F**

(IEC)



**BON 20 - H**

(IEC)



IEC	D	F	G	P	M	N	S	T
63B5	11	4	12.8	140	115	95	9	5
71B5	14	5	16.3	160	130	110	9	5
71B14	14	5	16.3	105	85	70	7	5
80B5	19	6	21.8	200	165	130	11	5
80B14	19	6	21.8	120	100	80	7	5

Feet	U	V	V <sub>1</sub>	V <sub>2</sub>	V <sub>3</sub>	W	X	X <sub>1</sub>	Y	Z
H 20	18	107.5	60	130	-	11	136	155	95	17

