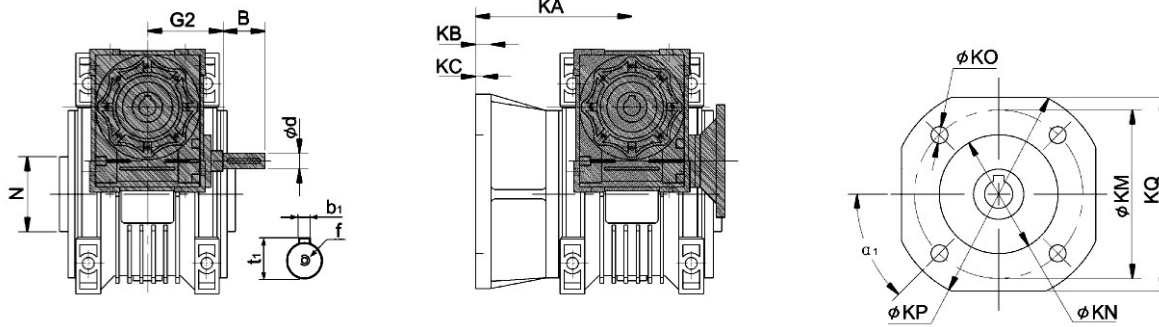




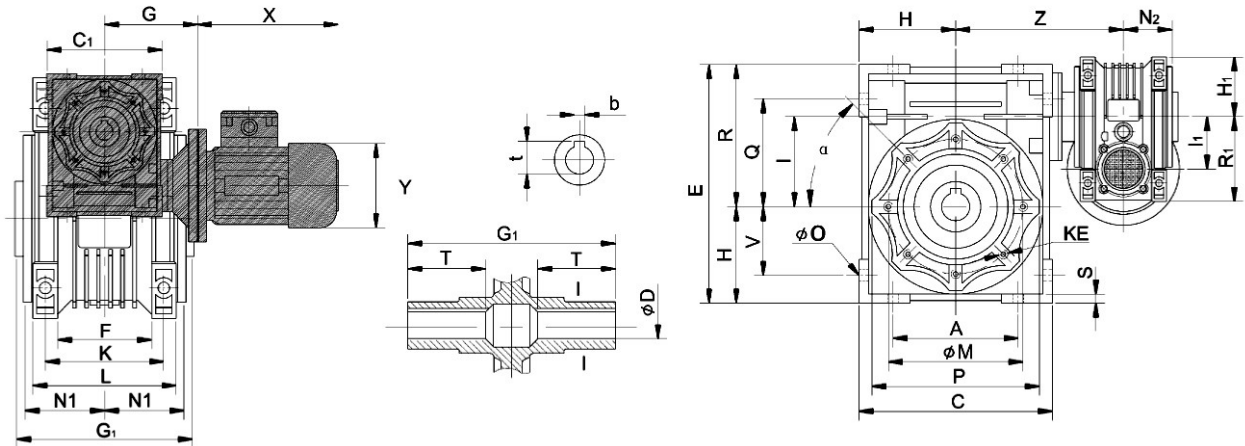
DOUBLE BL (WORM-WORM) SERIES INSTALLATION DIMENSIONS

BL-WW

Output Flange



BLM-WW



Size	A	B	C	C ₁	D (H7)	d (j6)	E	F	G	G ₁	G ₂	H	H ₁	I	I ₁	L	M	N(n,8)	M ₁	N ₂	O	P	Q	R	R ₁	S	T	V	Z	K	KA		
	F	FB	FL																											F	FB	FL	
25/30	54	-	80	70	14	-	97	32	45	63	-	40	35	30	25	55	65	55	29	22.5	6.5	7.5	44	57	48	5.5	21	27	100	44	54.5	-	-
25/40	70	-	100	70	18 (19)	-	121.5	43	45	78	-	50	35	40	25	71	75	60	36.5	22.5	6.5	87	55	71.5	48	6.5	26	35	115	60	67	76.5	97
30/40	70	20	100	80	18 (19)	9	121.5	43	55	78	51	50	40	40	30	71	75	60	36.5	29	6.5	87	55	71.5	57	6.5	26	35	120	60	67	76.5	97
30/05	80	20	120	80	25 (24)	9	144	49	55	92	51	60	40	50	30	85	85	70	43.5	29	8.5	100	64	84	57	7	30	40	130	70	90	87.5	120
30/63	100	20	144	80	25 (28)	9	174	67	55	112	51	72	40	63	30	103	95	80	53	29	8.5	110	80	102	57	8	36	50	145	85	82	99	112
40/75	120	23	172	100	28 (35)	11	205	72	70	120	60	86	50	75	40	112	115	95	57	36.5	11	140	93	119	71.5	10	40	60	165	90	111	-	-
40/90	140	23	208	100	35 (38)	11	238	74	70	140	60	103	50	90	40	130	130	110	67	36.5	13	160	102	135	71.5	11	45	70	182	100	111	-	-
50/110	170	30	252.5	120	42	14	295	-	80	155	74	127.5	60	110	50	144	165	130	74	43.5	14	200	125	167.5	84	14	50	85	225	115	131	-	-
63/130	200	40	292.5	144	45	19	335	-	95	170	90	147.5	72	130	63	155	215	180	81	53	16	250	140	187.5	102	15	60	100	245	120	140	-	-
63/150	240	40	340	144	50	19	400	-	95	200	90	170	72	150	63	185	215	180	96	53	18	250	180	230	102	18	72.5	120	275	145	155	-	-

KB	KC	KE	α	α ₁	KM			KN (H8)			KO			KP			KQ			b	b ₁	f	t	t ₁	Kg			
					F	FB	FL	F	FB	FL	F	FB	FL	F	FB	FL	F	FB	FL									
6	-	-	4	M6 x 11 (n,4)	0°	90°	68	-	-	50	-	-	6.5 (n,4)	-	-	80	-	-	70	-	-	5	-	-	16.3	-	2.1	
7	9	7	4(5)	M6 x 8 (n,4)	45°	90°	87	115	87	60	95	60	9 (n,4)	9.5 (n,4)	9 (n,4)	110	140	110	95	-	95	6 (6)	95	-	20.8 (21.8)	-	3.2	
7	9	7	4(5)	M6 x 8 (n,4)	45°	90°	87	115	87	60	95	60	9 (n,4)	9.5 (n,4)	9 (n,4)	110	140	110	110	-	110	6 (6)	110	-	20.8 (21.8)	10.2	3.9	
9	10	9	5(5)	M8 x 10 (n,4)	45°	90°	90	130	90	70	110	70	11 (n,4)	9.5 (n,4)	11 (n,4)	125	160	125	110	-	110	8 (8)	110	-	82.3 (27.3)	10.2	5.0	
10	11	10	6(5)	M8 x 14 (n,8)	45°	90°	150	165	150	115	130	115	11 (n,4)	11 (n,4)	11 (n,4)	180	200	180	142	-	142	8 (8)	142	-	28.3 (31.3)	10.2	7.8	
13	-	-	6	M8 x 14 (n,8)	45°	90°	165	-	-	130	-	-	14 (n,4)	-	-	200	-	-	170	-	-	8 (10)	-	-	31.3 (38.3)	12.5	12.0	
13	-	-	6	M10 x 18 (n,8)	45°	90°	175	-	-	152	-	-	14 (n,4)	-	-	210	-	-	200	-	-	10 (10)	-	-	38.3 (41.3)	12.5	16.0	
15	-	-	6	M10 x 18 (n,8)	45°	45°	230	-	-	170	-	-	14 (n,8)	-	-	280	-	-	260	-	-	12	-	-	M6	45.3	16.0	39.2
15	-	-	6	M12 x 21 (n,8)	45°	22.5°	255	-	-	180	-	-	16 (n,8)	-	-	320	-	-	290	-	-	14	-	-	M6	48.8	21.5	55.0
15	-	-	6	M12 x 21 (n,8)	45°	22.5°	255	-	-	180	-	-	16 (n,8)	-	-	320	-	-	290	-	-	14	-	-	M6	53.8	21.5	93



SELECTION & PERFORMANCE TABLE OF DOUBLE BL (WORM-WORM) SERIES

Size	l	n_2 (r/min)	KW ₁	M_2 (N - m)	i_1	i_2	
25/30	100	14.0	0.09	30	10	10	
	150	9.3	0.06	28	7.5	20	
	200	7.0	0.06	28	10	20	
	250	5.6	0.06	35	10	25	
	300	4.7	0.06	31	10	30	
	400	3.5	0.06	28	20	20	
	500	2.8	0.06	34	20	25	
	600	2.3	0.06	31	20	30	
	750	1.9	0.06	34	30	25	
	900	1.6	0.06	31	30	30	
	1200	1.2	0.06	28	30	40	
	1500	0.9	0.06	26	30	50	
	1800	0.8	0.06	31	60	30	
	2400	0.6	0.06	28	60	40	
3000	0.5	0.06	26	60	50		
25/40	300	4.7	0.06	59	10	30	
	400	3.5	0.06	63	10	40	
	500	2.8	0.06	57	10	50	
	600	2.3	0.06	65	15	40	
	750	1.9	0.06	60	15	50	
	900	1.6	0.06	73	30	30	
	1200	1.2	0.06	65	30	40	
	1500	0.9	0.06	60	30	50	
	1800	0.8	0.06	56	30	60	
	2400	0.6	0.06	56	40	60	
	3000	0.5	0.06	60	60	50	
	30/40	300	4.7	0.09	70	10	30
		400	3.5	0.06	63	10	40
		500	2.8	0.06	57	20	25
600		2.3	0.06	72	20	30	
750		1.9	0.06	72	25	30	
900		1.6	0.06	73	30	30	
1200		1.2	0.06	65	30	40	
1500		0.9	0.06	73	50	30	
1800		0.8	0.06	73	60	30	
2400		0.6	0.06	65	60	40	
3200		0.4	0.06	65	80	40	
30/50		300	4.7	0.18	142	10	30
		400	3.5	0.12	127	10	40
		500	2.8	0.09	123	10	50
	600	2.3	0.09	143	20	30	
	750	1.9	0.09	148	25	30	
	900	1.6	0.06	141	30	30	
	1200	1.2	0.06	118	30	40	
	1500	0.9	0.06	139	50	30	
	1800	0.8	0.06	155	60	30	
	2400	0.6	0.06?	124	60	40	
	3000	0.5	0.06	120	60	50	
	30/63	300	4.7	0.22	210	7.5	40
		400	3.5	0.18	222	10	40
		500	2.8	0.18	205	10	50
600		2.3	0.12	208	15	40	
750		1.9	0.12	216	15	50	
900		1.6	0.09	200	15	60	
1200		1.2	0.09	236	30	40	
1500		0.9	0.06	204	30	50	
1800		0.8	0.06	202	30	60	
2400		0.6	0.06	220	60	40	
3000		0.5	0.06	223	60	50	

Size	l	n_2 (r/min)	KW ₁	M_2 (N - m)	i_1	i_2	
40/75	300	4.7	0.37	405	10	30	
	400	3.5	0.25	336	10	40	
	500	2.8	0.25	307	10	50	
	600	2.3	0.18	362	20	30	
	750	1.9	0.18	391	25	30	
	900	1.6	0.12	325	30	30	
	1200	1.2	0.12	359	30	40	
	1500	0.9	0.09	360	50	30	
	1800	0.8	0.09	404	60	30	
	2400	0.6	0.06	330	60	40	
	3000	0.5	0.06	301	60	50	
	40/90	300	4.7	0.37	402	7.5	40
		400	3.5	0.37	523	10	40
		500	2.8	0.37	550	10	50
600		2.3	0.37	605	15	40	
750		1.9	0.25	538	15	50	
900		1.6	0.25	533	15	60	
1200		1.2	0.18	629	30	40	
1500		0.9	0.18	588	30	50	
1800		0.8	0.12	492	30	60	
2400		0.6	0.12	625	60	40	
3000		0.5	0.09	548	60	50	
50/110		300	4.7	0.75	817	10	30
		400	3.5	0.75	1013	10	40
		500	2.8	0.55	984	10	50
	600	2.3	0.55	1062	15	40	
	750	1.9	0.55	1128	25	30	
	900	1.6	0.37	1079	30	30	
	1200	1.2	0.25	943	30	40	
	1500	0.9	0.25	1064	50	30	
	1800	0.8	0.25	1075	60	30	
	2400	0.6	0.18	1001	60	40	
	3000	0.5	0.12	884	60	50	
	63/130	300	4.7	1.50	1789	10	30
		400	3.5	1.00	1519	10	40
		500	2.8	1.00	1629	10	50
600		2.3	0.75	1631	15	40	
750		1.9	0.75	1804	25	30	
900		1.6	0.75	1826	30	30	
1200		1.2	0.55	1705	30	40	
1500		0.9	0.37	1674	50	30	
1800		0.8	0.37	1698	60	30	
2400		0.6	0.25	1624	60	40	
3000		0.5	0.25	1548	60	50	
63/150		200	7	1.5	1317	10	20
		250	5.6	1.5	1602	10	25
		300	4.7	1.5	1860	10	30
	400	3.5	1.5	2208	10	40	
	500	2.8	1.1	1893	20	25	
	600	2.3	1.1	2242	20	30	
	750	1.9	0.75	1783	25	30	
	900	1.6	0.75	1994	30	30	
	1200	1.2	0.75	2680	30	40	
	1500	0.9	0.75	2700	50	30	
	1800	0.8	0.37	1775	60	30	
	2400	0.6	0.37	2141	60	40	
	3000	0.5	0.25	1713	60	50	